

Stationary 1 MPa

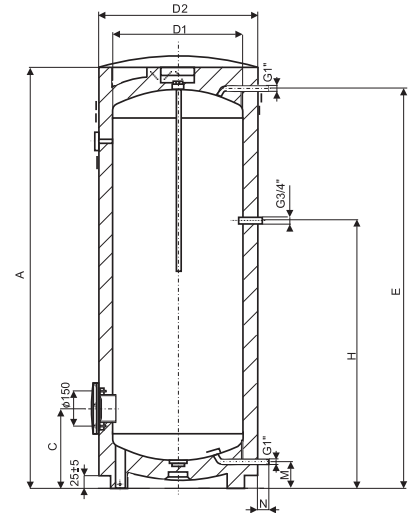
Built-in electric heating unit flange ranges R, SE depending on accessories

OKCE 400 S/1 MPa, OKCE 500 S/1 MPa, OKCE 750 S/1 MPa, OKCE 1000 S/1 MPa

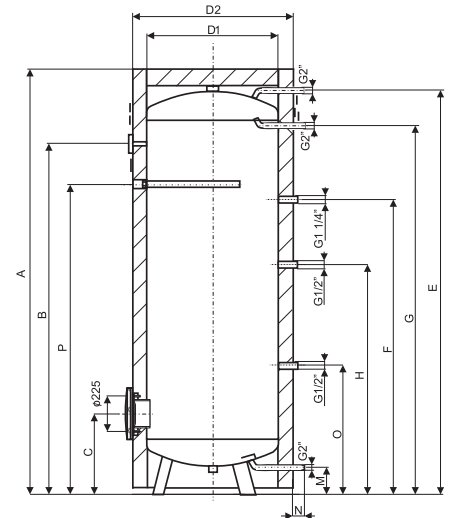
The built-in heating element flange series R, SE is not part of the delivery for OKCE 400 - 1000 S/1MPa types and must be purchased as an accessory.



Type	OKCE 400 S/ 1 MPa	OKCE 500 S/ 1 MPa
A	1591	1921
C	275	275
D1	597	597
D2	701	701
E	1523	1853
H	1111	1264
M	55	55
N	25	25



Type	OKCE 750 S/ 1 MPa	OKCE 1000 S/ 1 MPa
A	1998	2025
B	1643	1671
C	378	386
D1	750	850
D2	910	1010
E	1908	1911
F	1143	1154
G	1638	1646
H	943	951
M	88	92
N	45	45
O	288	296
P	1473	1511



Circulation for all types.

For the OKCE 750, 1000 S/1MPa types, thermal insulation is supplied as an accessory. This must be mounted during installation.

Built-in electric heating units from the R flange series can be installed into types OKCE 400, 500 S/1MPa, flange series SE into types OKCE 750, 1000 S/1MPa and if a 225/150 crossover flange is used, it is also possible to use electric heating units from the R flange series.

Type	OKCE 400 S/1 MPa	OKCE 500 S/1 MPa	OKCE 750 S/1 MPa	OKCE 1000 S/1 MPa
Volume (l)	400	500	750	1000
Weight (kg)	103	121	162	211
Operating pressure of the storage tank (MPa)	1	1	1	1
Maximum HUW temperature (°C)	80	80	80	80
Heating period with ele. en. from 10 °C to 60 °C (hour)	According to connected load of built-in heating unit from series R, SE			
Heat loss/energy efficiency class (kWh/24 h)	2/B	2.3/A	3.6/A	3.9/A