

INDIRECT STORAGE WATER HEATERS

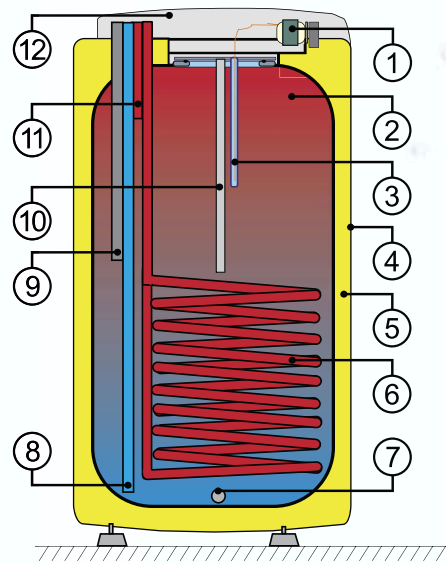
Stationary 0.6 MPa
Upper outlets, no side flange



**OKC 100 NTR/HV, OKC 125 NTR/HV,
OKC 160 NTR/HV, OKH 100 NTR/HV,
OKH 125 NTR/HV**

INDIRECT storage water heater
for vertical mounting

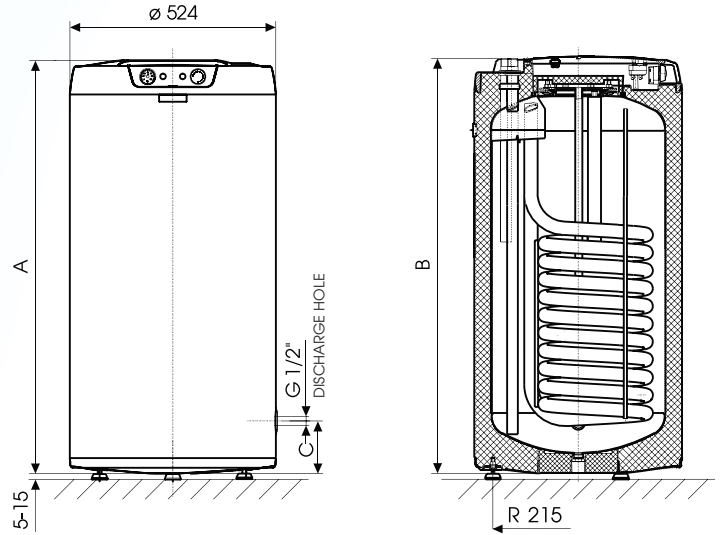
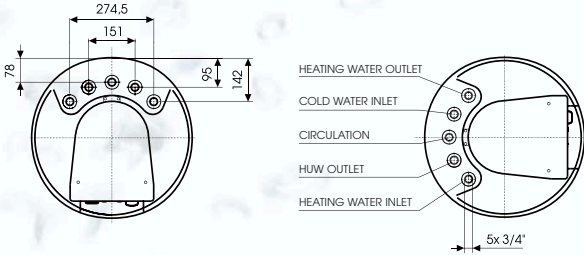
- 1 Temperature indicator
Operating thermostat with external control
- 2 Enamelled steel tank
- 3 Holder for operating thermostat
- 4 Heater casing
- 5 Polyurethane CFC-free insulation - 42 mm
- 6 Tubular exchanger
- 7 Discharge hole
- 8 Filling pipe for cold water
- 9 Circulation
- 10 Mg anode
- 11 Discharge pipe for hot water
- 12 Cover for electrical equipment



Type	OKC 100 NTR/HV OKH 100 NTR/HV	OKC 125 NTR/HV OKH 125 NTR/HV	OKC 160 NTR/HV
Volume (l)	95	120	155
Max. operating overpressure in the tank (MPa)	0.6	0.6	0.6
Max. operating overpressure in the exchanger (MPa)	1	1	1
Electrical connection of control elements (V/Hz)	1 PE-N 230/50	1 PE-N 230/50	1 PE-N 230/50
Electrical protection	IP 44	IP 44	IP 44
Max. HUW temperature (°C)	80	80	80
Recommended HUW temperature (°C)	60	60	60
Height x diameter/width (mm)	881x524/520	1046x524/520	1100x584
Max. weight of heater without water (kg)	56	70	80
Exchanger heating surface (m ²)	1.08	1.45	1.45
Rated exchanger output with a heating water temperature of 80 °C and flow of 720 l/h	24	32	32
Heating period with exchanger from 10 °C to 60 °C (min)	14	14	17
Heat loss/energy efficiency class (kWh/24 h)	0.9/0.7	1.1/0.87	1.39

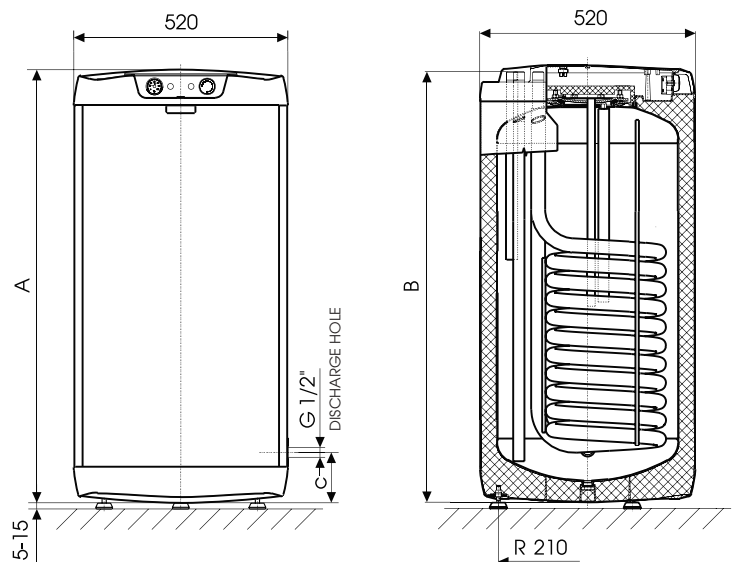
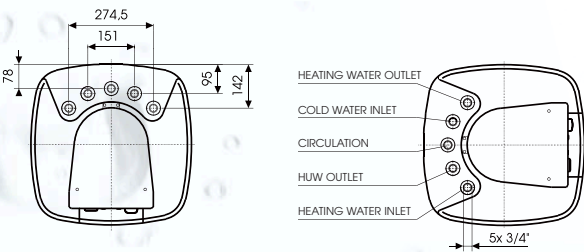
Type	OKC 100 NTR/HV	OKC 125 NTR/HV
A	881	1046
B*	876	1041
C	124	124

* Height from the lower edge of the heater to the end of the water inlet and outlet pipes.



Type	OKH 100 NTR/HV	OKH 125 NTR/HV
A	887	1052
B*	882	1047
C	127	127

* Height from the lower edge of the heater to the end of the water inlet and outlet pipes.



Type	OKC 160 NTR/HV
------	----------------

