

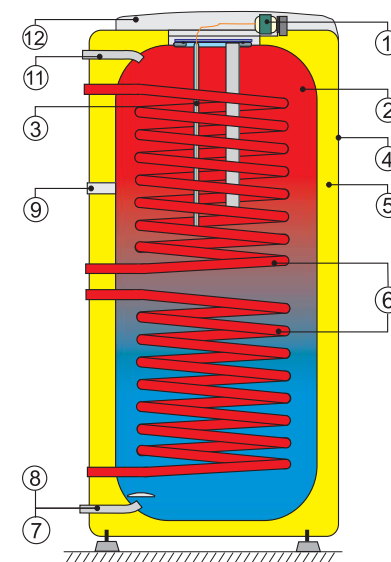
OKC 100 NTR
 OKC 125 NTR
 OKC 160 NTR
 OKC 200 NTR
 OKC 250 NTR
 OKC 200 NTRR
 OKC 250 NTRR
 OKH 100 NTR
 OKH 125 NTR
 OKH 160 NTR

INDIRECT STORAGE WATER HEATERS

Stationary 0.6 MPa - Side exchanger outlets, no side flange

INDIRECT storage water heater for vertical mounting

- 1 Thermometer
- Operating thermostat with external control
- 2 Enameled steel vessel
- 3 Holder for operating thermostat
- 4 Water heater jacket
- 5 Polyurethane CFC-free insulation - 42 mm
- 6 Heat exchanger
- 7 Discharge inlet
- 8 Filling pipe for cold water
- 9 Circulation
- 10 Mg anode
- 11 Discharge pipe for hot water
- 12 Cover for electrical equipment

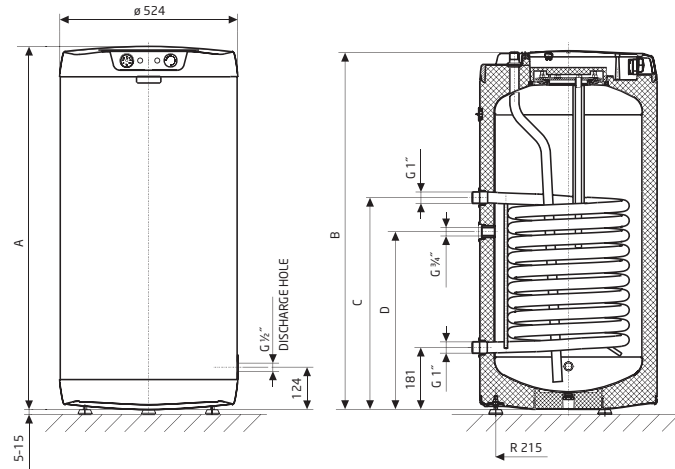
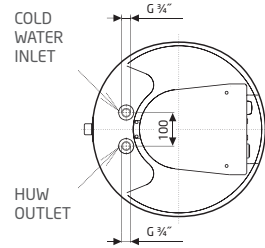


Type	OKC 100 NTR OKH 100 NTR	OKC 125 NTR OKH 125 NTR	OKC 160 NTR OKH 160 NTR	OKC 200 NTR	OKC 200 NTRR	OKC 250 NTR	OKC 250 NTRR
Volume [l]	95	115	145	210	200	250	245
Max. operating overpressure in the tank [MPa]	0.6	0.6	0.6	0.6	0.6	0.6	0.6
Max. operating overpressure in the exchanger [MPa]	1	1	1	1	1	1	1
Voltage of control elements [V/Hz]	1 PE-N~230/50	1 PE-N~230/50	1 PE-N~230/50	1 PE-N~230/50	1 PE-N~230/50	1 PE-N~230/50	1 PE-N~230/50
Electrical protection	IP 44	IP 44	IP 44	IP 44	IP 44	IP 44	IP 44
Max. HUW* temperature [°C]	80	80	80	80	80	80	80
Recommended HUW* temperature [°C]	60	60	60	60	60	60	60
Height x diameter/width [mm]	881x524	1046x524	1235x524	1400x584	1400x584	1580x584	1580x584
Max. weight of heater without water [kg]	57	69	77	95	108	107	118
Exchanger heating surface [m ²]	1	1.45	1.45	1.45	2x1	1.45	2x1
Rated exchanger output with a heating water temperature of 80 °C and flow of 720 l/h [kW]	24	32	32	32	2x 24	32	2x 24
Heating period with exchanger from 10 °C to 60 °C [min]	14	14	17	22	28/16	28	36/20
Heat loss [kWh/24 h]	0.9/0.7	1.1/0.87	1.39/1.05	1.4	1.4	1.73	1.73

* HUW hot water 45°C

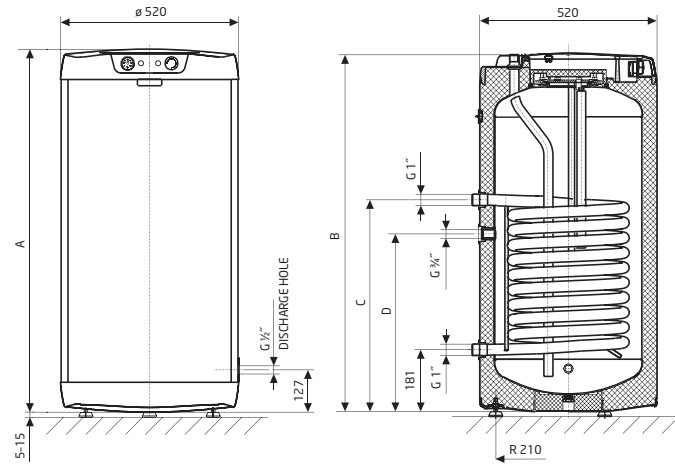
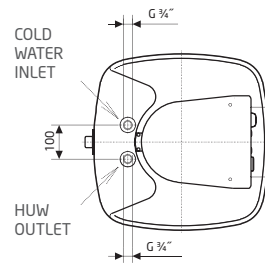
Type	A	B*	C	D
OKC 100 NTR	881	876	621	521
OKC 125 NTR	1046	1041	751	621
OKC 160 NTR	1235	1230	751	881

* Height from the lower edge of the heater to the end of the water inlet and outlet pipes.



Type	A	B*	C	D
OKH 100 NTR	887	882	651	521
OKH 125 NTR	1052	1047	751	621
OKH 160 NTR	1237	1232	751	881

* Height from the lower edge of the heater to the end of the water inlet and outlet pipes.



Type	A	B*	C	E	F	G
OKC 200 NTR	1400	1280	-	950	-	780
OKC 200 NTRR	1400	1280	1150	950	710	650
OKC 250 NTR	1580	1460	-	1060	-	780
OKC 250 NTRR	1580	1460	1330	1060	890	650

