

OKCE 100 NTR/2,2 kW
 OKCE 125 NTR/2,2 kW
 OKCE 160 NTR/2,2 kW
 OKCE 200 NTR/2,2 kW
 OKCE 250 NTR/2,2 kW
 OKCE 200 NTRR/2,2 kW
 OKCE 250 NTRR/2,2 kW
 OKC 100 NTR/BP
 OKC 125 NTR/BP
 OKC 160 NTR/BP
 OKC 200 NTR/BP
 OKC 250 NTR/BP
 OKC 200 NTRR/BP
 OKC 250 NTRR/BP

INDIRECT STORAGE WATER HEATERS

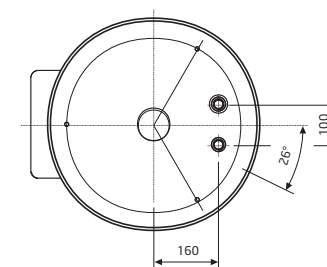
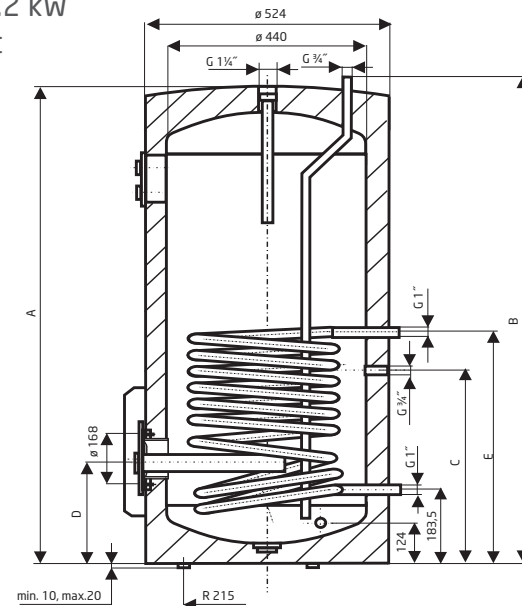
Stationary 0.6 MPa - Heating element built - in to flange 2.2 kW
 Stationary 0.6 MPa - With side flange - no heating element

Type	A	B	C	D	E
OKCE 100 NTR/2,2 kW OKC 100 NTR/BP	815	869	517	229	617
OKCE 125 NTR/2,2 kW OKC 125 NTR/BP	980	1040	623	246	753

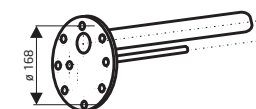
Type	OKCE 100 NTR/2,2 kW OKC 100 NTR/BP	OKCE 125 NTR/2,2 kW OKC 125 NTR/BP
Volume [l]	95	120
Maximum weight of heater without water [kg]	63/59	77/72
Max. operating overpressure in the tank [MPa]	0,6	0,6
Max. operating overpressure in the exchanger [MPa]	1	1
Max. temperature heating water [°C]	110	110
Maximum HUW temperature [°C]	80	80
Exchanger heating surface [m ²]	1	1,45
Performance of the lower/upper exchanger [kW]	24	32
Continuous HUW ¹ power*/LE/UE [l/hour]	610	990
Heating period with exchanger from 10 °C to 60 °C [min]	14	14
Heating period with ele. en. from 10 °C to 60 °C [h] *	3	3,5
Connected load [kW] *	2,2	2,2
Voltage [V/Hz]	1 PE-N~230/50	1 PE-N~230/50
Voltage of safety elements [V/Hz]	1 PE-N~230/50	1 PE-N~230/50
Electrical protection	IP 44	IP 44
Heat loss [kWh/24h]/energy efficiency class	0,9/C	1,1/C

¹ HUW hot water 45°C • LE - lower exchanger, UE - upper exchanger

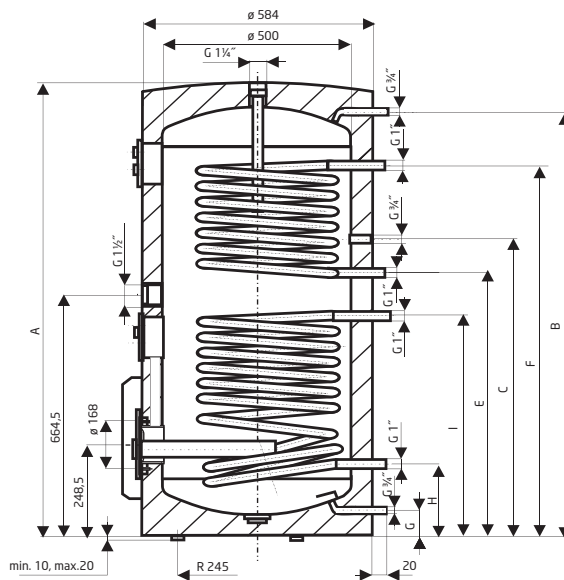
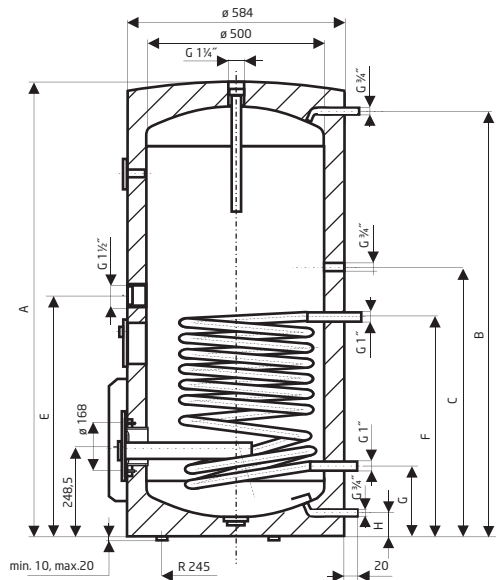
* These lines do not apply to NTR/BP types, which do not have a heating element.



Flange lid 2,2 kW



8x M10



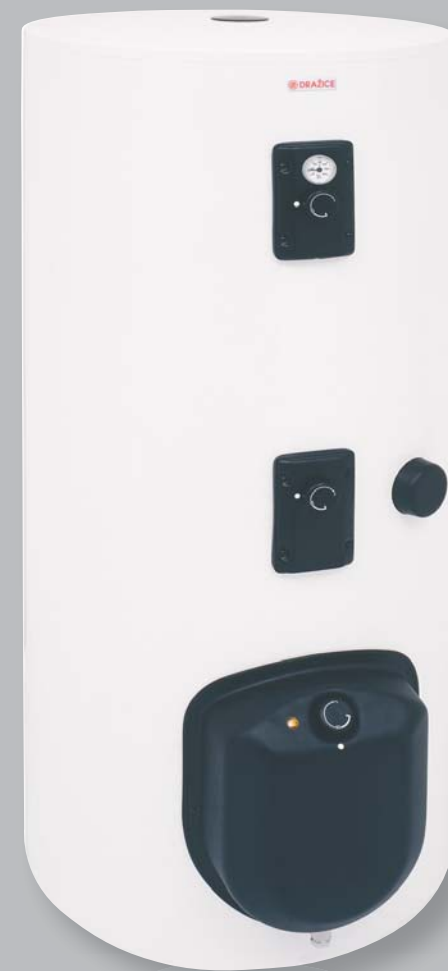
Type	A	B	C	E	F	G	H
OKCE 160 NTR/2,2 kW OKC 160 NTR/BP	1018	952	635	-	765	195	65
OKCE 200 NTR/2,2 kW OKC 200 NTR/BP	1328	1265	935	796	765	195	65
OKCE 250 NTR/2,2 kW OKC 250 NTR/BP	1508	1445	1045	796	465	195	65

Type	A	B	C	E	F	G	H	I
OKCE 200 NTRR/2,2 kW OKC 200 NTRR/BP	1328	1265	845	695	1135	65	195	635
OKCE 250 NTRR/2,2 kW OKC 250 NTRR/BP	1508	1448	1048	878	1318	68	198	638

Type	OKCE 160 NTR/2,2 kW OKC 160 NTR/BP	OKCE 200 NTR/2,2 kW OKC 200 NTR/BP	OKCE 200 NTRR/2,2 kW OKC 200 NTRR/BP	OKCE 250 NTR/2,2 kW OKC 250 NTR/BP	OKCE 250 NTRR/2,2 kW OKC 250 NTRR/BP
Volume [l]	155	210	195	250	245
Maximum weight of heater without water [kg]	86/82	104/97	114/111	113/106	122/118
Max. operating overpressure in the tank [MPa]	0.6	0.6	0.6	0.6	0.6
Max. operating overpressure in the exchanger [MPa]	1	1	1	1	1
Max. temperature heating water [°C]	110	110	110	110	110
Maximum HUW temperature [°C]	80	80	80	80	80
Heating surface of the lower exchanger [m²]	1.45	1.45	1	1.45	1
Heating surface of the upper exchanger [m²]	-	-	1	-	1
Performance of the lower/upper exchange [kW]	32	32	2x24	32	2x24
Continuous HUW1 power*/LE/UE [l/hour]	990	990	670/650 **1080	990	670/650 **1080
Heating period with exchanger from 10 °C to 60 °C [min]	17	22	28/16	28	36/20
Heating period with ele. en. from 10 °C to 60 °C [h] *	4.5	5.5	5.5	6.5	6.5
Connected load [kW] *	2.2	2.2	2.2	2.2	2.2
Voltage [V/Hz] *	1 PE-N~230/50	1 PE-N~230/50	1 PE-N~230/50	1 PE-N~230/50	1 PE-N~230/50
Voltage of safety elements [V/Hz]	1 PE-N~230/50	1 PE-N~230/50	1 PE-N~230/50	1 PE-N~230/50	1 PE-N~230/50
Electrical protection	IP 44	IP 44	IP 44	IP 44	IP 44
Heat loss [kWh/24h]/energy efficiency class	1.4/C	1.4/B	1.4/B	1.73/B	1.73/B

¹ HUW hot water 45°C • LE - lower exchanger, UE - upper exchanger

* These lines do not apply to NTR/BP types, which do not have a heating element. **Exchangers connected in series.

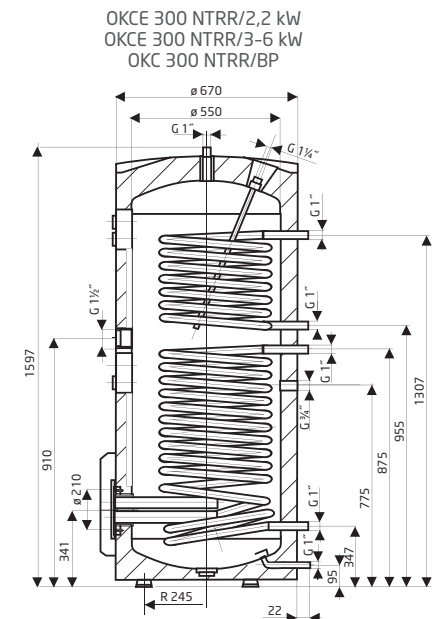
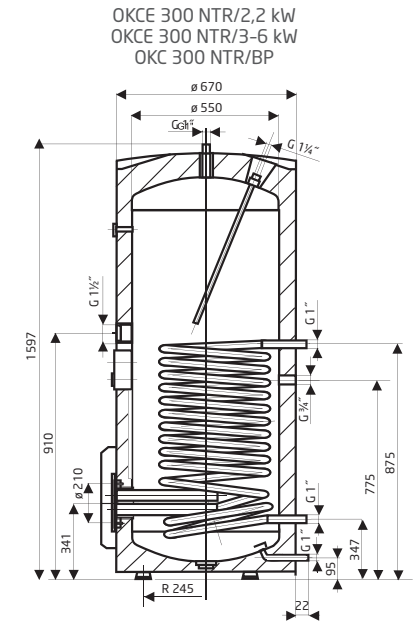
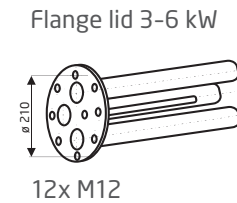
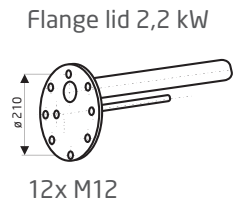


OKCE 300 NTR/2,2 kW
 OKCE 300 NTRR/2,2 kW
 OKCE 300 NTR/3-6 kW
 OKCE 300 NTRR/3-6 kW
 OKC 300 NTR/BP
 OKC 300 NTRR/BP



INDIRECT STORAGE WATER HEATERS

Stationary 0.6 MPa - Heating element built-in to flange 2.2 kW
 Stationary 0.6 MPa - Heating element built-in to flange 3-6 kW
 Stationary 0.6 MPa - With side flange - no heating element



Type	OKCE 300 NTR/2,2 kW OKCE 300 NTR/3-6 kW OKC 300 NTR/BP	OKCE 300 NTRR/2,2 kW OKCE 300 NTRR/3-6 kW OKC 300 NTRR/BP
Volume [l]	300	295
Max. weight of heater without water [kg]	116/122/111	132/138/127
Max. operating overpressure in the tank [MPa]	0.6	0.6
Max. operating overpressure in the exchanger [MPa]	1	1
Max. temperature heating water [°C]	110	110
Maximum HUW temperature [°C]	80	80
Heating surface of the lower exchanger [m ²]	1.5	1.5
Heating surface of the upper exchanger [m ²]	-	1
Performance of the lower/upper exchanger [kW]	35	35/27
Continuous HUW1 power*/LE/UE [l/hour]	1100	1100/760
Heating period with exchanger from 10 °C to 60 °C [min]	24	24/16
Heating period with ele. en. from 10 °C to 60 °C [h] *	8.5/6-3	8.5/6-3
Connected load [kW] *	2.2/3-6	2.2/3-6
Voltage [V/Hz]	1 PE-N~230/50 3 PE-N~400/50	1 PE-N~230/50 3 PE-N~400/50
Voltage of control elements - NTR/BP [V/Hz]	1 PE-N~230/50	1 PE-N~230/50
Electrical protection	IP 44	IP 44
Heat loss [kWh/24h]/energy efficiency class	1.86/B	1.86/B

¹ HUW hot water 45°C • LE - lower exchanger, UE - upper exchanger

* These lines do not apply to NTR/BP types, which do not have a heating element.