

OKCE 50
OKCE 80
OKCE 100
OKCE 125
OKCE 160



ELECTRIC STORAGE WATER HEATERS

Wall-mounted, vertical

ELECTRIC storage water heater for vertical mounting

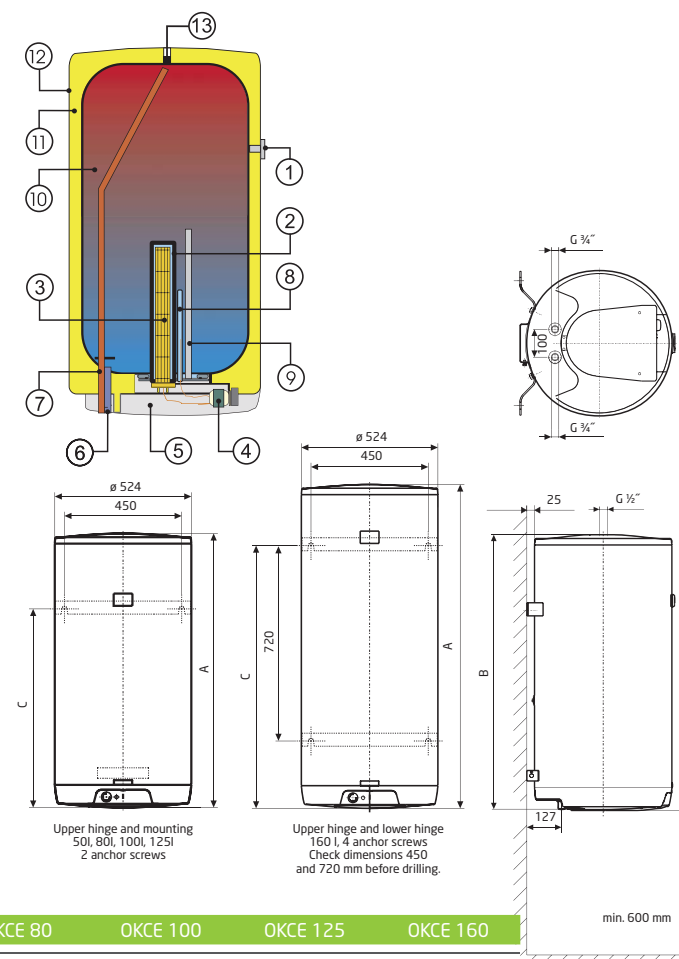
- 1 Thermometer
- 2 Heating element well
- 3 **DRY CERAMIC HEATING ELEMENT**
- 4 Operating thermostat with external control
Safety thermostat
- 5 Cover for electrical equipment
- 6 Filling pipe for cold water
- 7 Discharge pipe for hot water
- 8 Operating and safety thermostat well
- 9 Mg anode
- 10 Enamelled steel vessel
- 11 Polyurethane CFC-free insulation - 42 mm
- 12 Water heater
- 13 Another hot water outlet (circulation)

Type	OKCE 50	OKCE 80	OKCE 100	OKCE 125	OKCE 160
A	561	736	881	1046	1235
B*	556	731	876	1041	1230
C	448	615	765	765	1005

*Distance from upper edge of the heater to the end of the water inlet and outlet pipes.

Type	OKCE 50	OKCE 80	OKCE 100	OKCE 125	OKCE 160
Volume [l]	51	80	100	125	152
Nominal overpressure [MPa]	0.6	0.6	0.6	0.6	0.6
Voltage [V/Hz]	1 PE-N~230/50	1 PE-N~230/50	1 PE-N~230/50	1 PE-N~230/50	1 PE-N~230/50
Connected load [kW]	2	2	2	2	2
Electrical protection	IP 45	IP 45	IP 45	IP 45	IP 45
Height x Diameter [mm]	561x524	736x524	881x524	1046x524	1235x524
Maximum weight of heater without water [kg]	30	36	42	48	58
Heating period with ele. en. from 10 °C to 60 °C [h]	1.5	2.5	3	3.8	5
Heat loss [kWh/24h]/energy efficiency class	0.45/C	0.71/C	0.88/C	1.09/C	1.39/C

The OKCE 80, 100, 125, 160 heaters can be made to order with a heating element with 4000 W and 3 PE-N 400V/50Hz connection. Heating time is decreased to half the value stated in the table.



ELECTRIC STORAGE WATER HEATERS

Wall-mounted, vertical

ELECTRIC storage water heater for vertical mounting

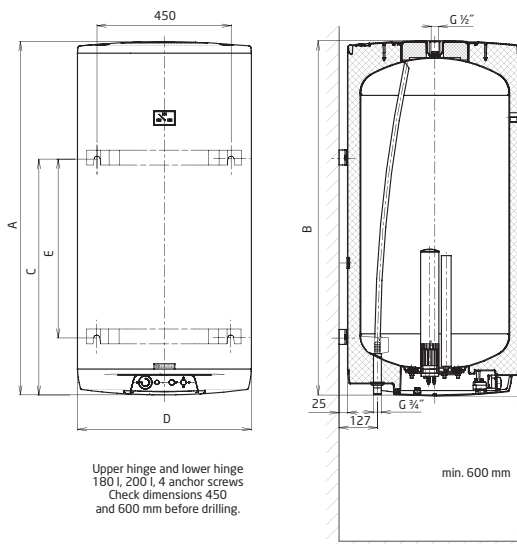
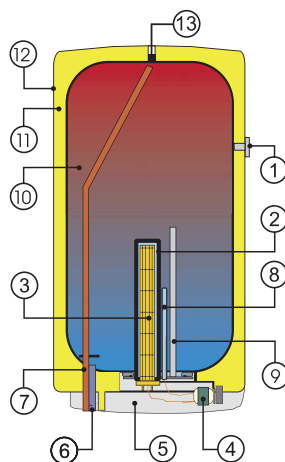
- 1 Thermometer
- 2 Heating element well
- 3 **DRY CERAMIC HEATING ELEMENT**
- 4 Operating thermostat with external control
Safety thermostat
- 5 Cover for electrical equipment
- 6 Filling pipe for cold water
- 7 Operating and safety thermostat well
- 8 Discharge pipe for hot water
- 9 Mg anode
- 10 Enameled steel vessel
- 11 Polyurethane CFC-free insulation - 42 mm
- 12 Water heater jacket
- 13 Another hot water outlet (circulation)

Type	A	B*	C	D	E
OKCE 180	1187	1182	793	584	600
OKCE 200	1287	1282	793	584	600

*Distance from the upper edge of the heater to the end of the water input and outlet pipes

Type	OKCE 180	OKCE 200
Volume [l]	180	200
Nominal overpressure [MPa]	0.6	0.6
Voltage [V/Hz]	1 PE-N~230/50	1 PE-N~230/50
Connected load [kW]	2.2	2.2
Electrical protection	IP 45	IP 45
Height x Diameter [mm]	1187x584	1287x584
Maximum weight of heater without water [kg]	72	76
Heating period with ele. en. from 10 °C to 60 °C [h]	5	5.5
Heat loss [kWh/24h]/energy efficiency class	1.39/C	1.4/B

The OKCE 180, 200 heaters can be made to order with a heating element with 4000 W and 3 PE-N 400V/50Hz connection. Heating time is decreased to half the value stated in the table.



Upper hinge and lower hinge
180 l, 200 l, 4 anchor screws
Check dimensions 450
and 600 mm before drilling.

OKCE 180
OKCE 200

