

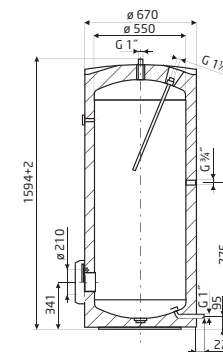
OKCE 300 S/1 MPa
 OKCE 400 S/1 MPa
 OKCE 500 S/1 MPa
 OKCE 750 S/1 MPa
 OKCE 1000 S/1 MPa



ELECTRIC STORAGE WATER HEATERS

Stationary 1 MPa

Electrical heating units of R flange series (see table on the page 38) can be installed into water heaters OKCE 300, 400, 500, 750 a 1000 S/1 MPa. Electrical heating units SE can be used for types OKCE 750, 1000 S/1 MPa and TPK flange series (see table on page 44) for OKCE 300 S/1 MPa.

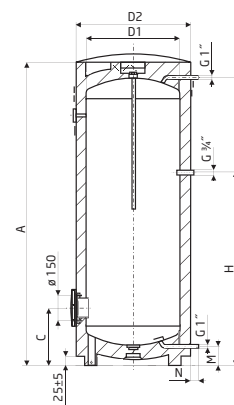


OKCE 300 S/1 MPa

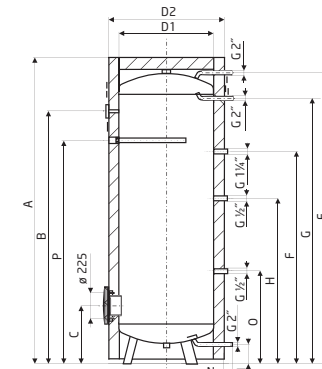
Circulation in all types.

For the OKCE 750, 1000 S/1MPa types, thermal insulation is supplied as an accessory. This must be mounted during installation.

OKCE 400 S/1 MPa
 OKCE 500 S/1 MPa



OKCE 750 S/1 MPa
 OKCE 1000 S/1 MPa



Type	A	C	D1	D2	E	H	M	N
OKCE 400 S/1 MPa	1591	275	597	701	1523	1111	55	25
OKCE 500 S/1 MPa	1921	275	597	701	1853	1264	55	25

Type	A	B	C	D1	D2	E	F	G	H	M	N	O	P
OKCE 750 S/1 MPa	1998	1643	378	750	910	1908	1143	1638	943	88	45	288	1473
OKCE 1000 S/1 MPa	2025	1671	386	850	1010	1911	1154	1646	951	92	45	296	1511

Type	OKCE 300 S/1 MPa	OKCE 400 S/1 MPa	OKCE 500 S/1 MPa	OKCE 750 S/1 MPa	OKCE 1000 S/1 MPa
Volume [l]	300	400	500	750	1000
Weight [kg]	90	103	121	162	211
Operating pressure of the storage tank [MPa]	1	1	1	1	1
Maximum HUW temperature [°C]	80	80	80	80	80
Heating period with ele. en. from 10 °C to 60 °C [h]	According to connected load of built-in heating unit from series R,SE				
Heat loss [kWh/24h]/energy efficiency class	1.86/B	2/B	2.3/A	3.6/A	3.9/A

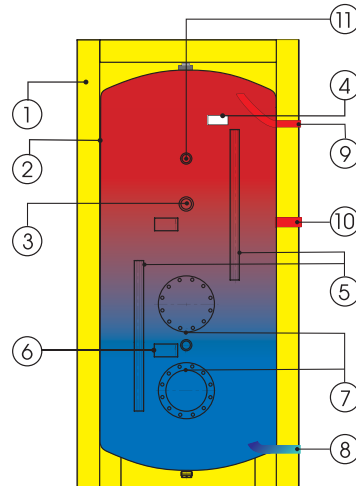
Can be used as accumulation tank for hot water.

ELECTRIC STORAGE WATER HEATERS

Stationary 1 MPa

Stationary electric water heaters OKCE S/1 MPa

- 1 Insulation
- 2 Enamelled vessel
- 3 Inlet for electric additional heating unit 800 litres - socket G1½" - TJ G 6/4"
1500, 2000 litres outlet G2" - reduction for TJ G 6/4" needed
- 4 Temperature sensor
- 5 Thermowells
- 6 Mg anode in 800 l only
- 7 Inlet for electrical heating unit TPK
Revision inlet
- 8 Cold water input
- 9 Hot water output
- 10 Circulation
- 11 Anode



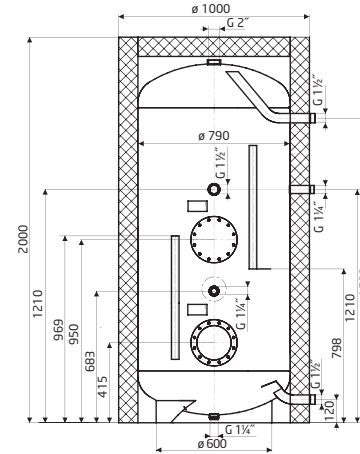
The electrical heating unit of flange series R, SE and TPK is not a part of delivery (accessory)

Type	A	B	C	D	d	E	F	G	H	I	J
OKCE 1500 S/1 MPa	2240	1217	1825	1200	1000	437	837	1167	1354	1494	1825
OKCE 2000 S/1 MPa	2500	1252	1997	1300	1100	447	847	1202	1472	1612	1997

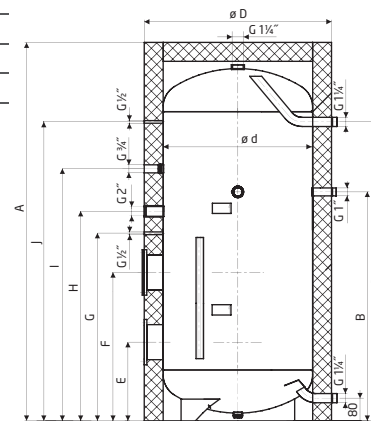
Electrical heating units of flange series TPK 210/12 can be used and with reduction flange 210/150 also R series

Type	OKCE 800 S/1 MPa	OKCE 1500 S/1 MPa	OKCE 2000 S/1 MPa
Volume (l)	800	1500	2000
Weight (kg)	244	360	420
Operating pressure in tank (MPa)	1	1	1
Maximum HUW temperature (°C)	95	95	95
Heating period with ele. en. from 10 °C to 60 °C [h]	According to connected load of built-in heating unit from series R,SE		
Heat loss [kWh/24h]	4.3	6.9	7.4

OKCE 800 S/1 MPa



OKCE 1500 S/1 MPa
OKCE 2000 S/1 MPa



OKCE 800 S/1 MPa
OKCE 1500 S/1 MPa
OKCE 2000 S/1 MPa

