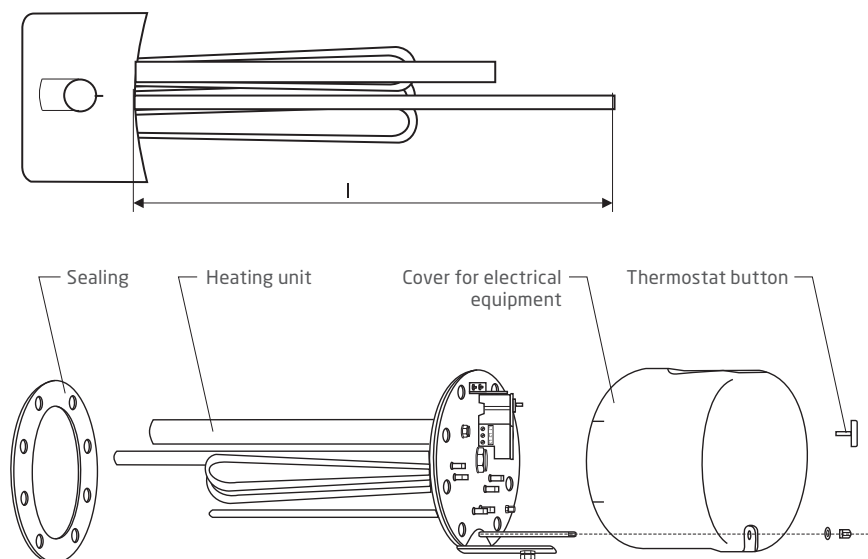


ACCESSORIES

Built-in electric heating unit flange series R, SE

Only for OKC 300 - 1000 NTR, NTRR/1 MPa, OKCE 400 - 1000 S/1 MPa



Type	Output [kW]	Voltage [V/Hz]	Unit length l [mm]	Electrical protection	Weight [kg]
REU 18 - 2,5	2,5	1 PE-N~230/50	430	IP 24	3
RDU 18 - 2,5	2,5	3 PE-N~400/50	430	IP 24	3,3
RDU 18 - 3	3	3 PE-N~400/50	430	IP 24	3,4
RDU 18 - 3,8	3,8	3 PE-N~400/50	430	IP 24	3,5
RDU 18 - 5	5	3 PE-N~400/50	430	IP 24	3,5
RDU 18 - 6	6	3 PE-N~400/50	430	IP 24	3,5
RDW 18 - 7,5	7,5	3 PE-N~400/50	430	IP 24	3,7
RDW 18 - 10	10	3 PE-N~400/50	430	IP 24	4
RSW 18 - 12	12	3 PE-N~400/50	530	IP 24	4
RSW 18 - 15	15	3 PE-N~400/50	630	IP 24	4,2
SE 377*	8,0/11/16	3 PE-N~400/50	610	IP 24	8
SE 378*	9,5/14/19	3 PE-N~400/50	740	IP 24	11,5

*Only for heaters with volumes of 750 and 1000 litres.

With the aid of a crossover flange, types REU, RDU, RDW and RSW can also be used for heaters with volumes of 750 and 1000 litres. REU, RDU and RSW types can also be used for heaters with volumes of 800, 1500 and 2000 litres with the aid of a reduction flange.

REU 18 - 2,5
 RDU 18 - 2,5
 RDU 18 - 3
 RDU 18 - 3,8
 RDU 18 - 5
 RDU 18 - 6
 RDW 18 - 7,5
 RDW 18 - 10
 RSW 18 - 12
 RSW 18 - 15
 SE 377
 SE 378

	REU 18 - 2,5	RDU 18 - 2,5	RDU 18 - 3	RDU 18 - 3,8	RDU 18 - 5	RDU 18 - 6	RDW 18 - 7,5	RDW 18 - 10	RSW 18 - 12	RSW 18 - 15	SE 377	SE 378
OKC 300 NTR/1 MPa	▲	▲	▲	▲	▲	▲	▲	▲	-	-	-	-
OKC 300 NTRR/1 MPa	▲	▲	▲	▲	▲	▲	▲	▲	-	-	-	-
OKCE 300 S/1 MPa	●	●	●	●	●	●	●	●	-	-	-	-
OKCE 400 S/1 MPa	▲	▲	▲	▲	▲	▲	▲	▲	▲	▲	-	-
OKC 400 NTR/1 MPa	▲	▲	▲	▲	▲	▲	▲	▲	▲	-	-	-
OKC 400 NTRR/1 MPa	▲	▲	▲	▲	▲	▲	▲	▲	▲	-	-	-
OKCE 500 S/1 MPa	▲	▲	▲	▲	▲	▲	▲	▲	▲	▲	-	-
OKC 500 NTR/1 MPa	▲	▲	▲	▲	▲	▲	▲	▲	▲	-	-	-
OKC 500 NTRR/1 MPa	▲	▲	▲	▲	▲	▲	▲	▲	▲	-	-	-
OKCE 750 S/1 MPa	■	■	■	■	■	■	■	■	■	■	▲	▲
OKC 750 NTR/1 MPa	■	■	■	■	■	■	■	■	■	■	▲	-
OKC 750 NTRR/1 MPa	■	■	■	■	■	■	■	■	■	■	▲	-
OKCE 800 S/1 MPa	●	●	●	●	●	●	●	●	●	●	-	-
OKC 800 NTR/1 MPa	●	●	●	●	●	●	●	●	●	●	-	-
OKC 800 NTRR/1 MPa	●	●	●	●	●	●	●	●	●	●	-	-
OKCE 1000 S/1 MPa	■	■	■	■	■	■	■	■	■	■	▲	▲
OKC 1000 NTR/1 MPa	■	■	■	■	■	■	■	■	■	■	▲	▲
OKC 1000 NTRR/1 MPa	■	■	■	■	■	■	■	■	■	■	▲	▲
OKCE 1500 S/1 MPa	●	●	●	●	●	●	●	●	●	●	-	-
OKC 1500 NTR/1 MPa	●	●	●	●	●	●	●	●	●	●	-	-
OKC 1500 NTRR/1 MPa	●	●	●	●	●	●	●	●	●	●	-	-
OKCE 2000 S/1 MPa	●	●	●	●	●	●	●	●	●	●	-	-
OKC 2000 NTR/1 MPa	●	●	●	●	●	●	●	●	●	●	-	-
OKC 2000 NTRR/1 MPa	●	●	●	●	●	●	●	●	●	●	-	-

▲ it can be used, ■ it can be used, but only with crossover flange 225/150, ● it can be used, but only with crossover flange 210/150, - it can not be used

Volume [l]	Flange dimensions* [mm]	Heating time from 10°C to 60°C [hours]									
		8	6	5	4	3	2,5	2	1,5	1	
300	Flange ø150	RDU 18 - 2,5	RDU 18 - 3	RDU 18 - 3,8	RDU 18 - 5	RDU 18 - 6	RDW 18 - 7,5	RDW 18 - 10	-	-	
	Socket 6/4"	-	-	TJ 6/4" - 2	TJ 6/4" - 2,5	TJ 6/4" - 3,3	TJ 6/4" - 3,75	TJ 6/4" - 4,5	TJ 6/4" - 6	TJ 6/4" - 7,5	
400	Flange ø150	RDU 18 - 3	RDU 18 - 3,8	RDU 18 - 5	RDU 18 - 6	RDW 18 - 7,5	RDW 18 - 10	RSW 18 - 12	-	-	
	Socket 6/4"	-	TJ 6/4" - 2	TJ 6/4" - 2,5	TJ 6/4" - 3,3	TJ 6/4" - 3,75	TJ 6/4" - 4,5	TJ 6/4" - 6	TJ 6/4" - 7,5	TJ 6/4" - 9	
500	Flange ø150	RDU 18 - 3,8	RDU 18 - 5	RDU 18 - 6	RDW 18 - 7,5	RDW 18 - 10	RSW 18 - 12	-	-	-	
	Socket 6/4"	TJ 6/4" - 2	TJ 6/4" - 2,5	TJ 6/4" - 3,3	TJ 6/4" - 3,75	TJ 6/4" - 4,5	TJ 6/4" - 6	TJ 6/4" - 7,5	TJ 6/4" - 9	-	
750	Flange ø150	RDU 18 - 6	RDW 18 - 7,5	RDW 18 - 10	RSW 18 - 12	RSW 18 - 15	-	-	-	-	
	Flange ø255	-	SE 377 - 8	SE 378 - 9,5	SE 377 - 11	SE 378 - 14	SE 377 - 16	SE 378 - 19	-	-	
1000	Flange ø150	RDW 18 - 7,5	RDW 18 - 10	RSW 18 - 12	RSW 18 - 15	-	-	-	-	-	
	Flange ø225	SE 377 - 8	SE 378 - 9,5	SE 377 - 11	SE 378 - 14	SE 377 - 16	SE 378 - 19	-	-	-	
	Socket 6/4"	TJ 6/4" - 3,75	-	TJ 6/4" - 6	TJ 6/4" - 7,5	TJ 6/4" - 9	-	-	-	-	

*Diameter of hole for screws.
The resulting heating time for TJ units depends on the heater volume.