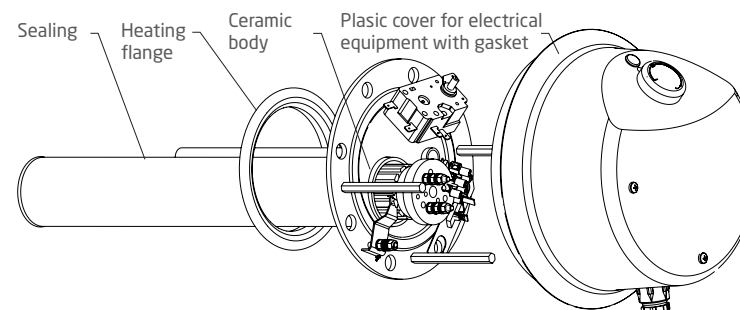


TPK 168 - 8/2,2 kW
 TPK 210 - 12/2,2 kW
 TPK 210 - 12/3-6 kW
 TPK 210 - 12/5-9 kW
 TPK 210 - 12/8-12 kW

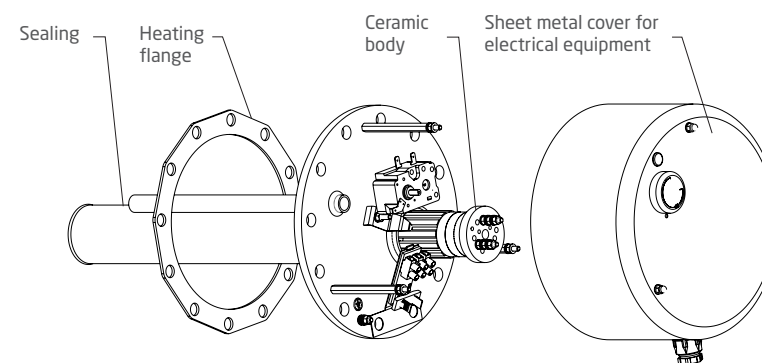
ACCESSORIES

Built-in electric heating unit for flange series

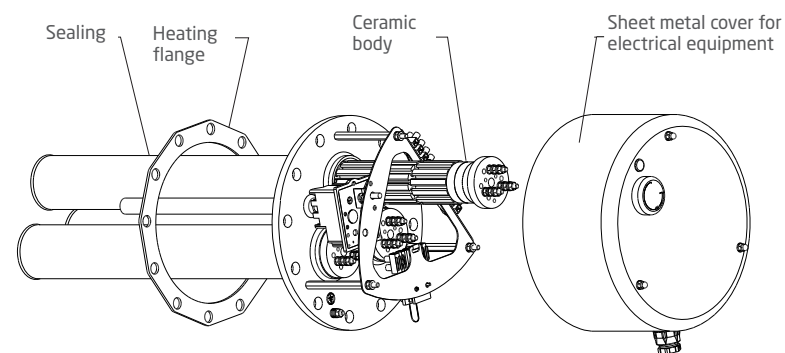
TPK 168 - 8/2,2 kW



TPK 210 - 12/2,2 kW



TPK 210 - 12/3-6 kW
TPK 210 - 12/5-9 kW
TPK 210 - 12/8-12 kW



Type	Output [kW]	Voltage [V/Hz]	Unit length l [mm]	Electrical protection	Weight [kg]	Mounting
TPK 168 - 8/2,2 kW	2,2	1 PE-N~230/50	405	IP 44	5	8x M10
TPK 210 - 12/2,2 kW	2,2	1 PE-N~230/50	440	IP 44	9	12x M12
TPK 210 - 12/3-6 kW	3 - 4 - 6	3 PE-N~400/50	440	IP 44	15	12x M12
TPK 210 - 12/5-9 kW	5 - 7 - 9	3 PE-N~400/50	550	IP 44	18	12x M12
TPK 210 - 12/8-12 kW	8 - 10 - 12	3 PE-N~400/50	550	IP 44	18	12x M12

Possible mounting of electric heating units Tj 6/4" series is in table on page 45.

TABLE 1 - Mounting of elements TPK

Diameter vessel	Vessel ø 440 mm		Vessel ø 500 mm		Vessel ø 550 mm	Vessel ø 750 a 850 mm	Vessel ø 790, 1000 a 1100 mm
Type	OKCE 100 S/2,2 kW OKC 100 NTR/BP OKCE 100 NTR/2,2 kW OKCE 125 S/2,2 kW OKC 125 NTR/BP OKCE 125 NTR/2,2 kW	OKCE 160 S/3-6 kW OKCE 200 S/3-6 kW OKCE 250 S/3-6 kW	OKCE 160 S/2,2 kW OKCE 160 NTR/2,2 kW OKCE 200 S/2,2 kW OKC 200 NTR/BP OKC 200 NTRR/BP OKCE 200 NTR/2,2 kW OKCE 200 NTRR/2,2 kW	OKC 160 NTR/BP OKCE 250 S/2,2 kW OKC 250 NTR/BP OKC 250 NTRR/BP OKCE 250 NTR/2,2 kW OKCE 250 NTRR/2,2 kW	OKCE 300 S/1 MPa OKC 300 NTR/BP OKC 300 NTRR/BP OKCE 300 NTR/2,2 kW OKCE 300 NTRR/2,2 kW OKCE 300 NTR/3-6 kW OKCE 300 NTRR/3-6 kW	OKC 750 NTR/1 MPa OKC 750 NTRR/1 MPa OKC 1000 NTR/1 MPa OKC 1000 NTRR/1 MPa	OKCE 800 S / 1 MPa OKCE 1500 S / 1 MPa OKCE 2000 S / 1 MPa OKC 800 NTR / 1 MPa OKC 1500 NTR / 1 MPa OKC 2000 NTR / 1 MPa OKC 800 NTRR / 1 MPa OKC 1500 NTRR / 1 MPa OKC 2000 NTRR / 1 MPa
TPK 168-8/2,2 kW	YES	NO	YES	YES	NO	NO	NO
TPK 210-12/2,2 kW	NO	YES	NO	NO	YES	YES ²	YES
TPK 210-12/3-6 kW	NO	YES	NO	NO	YES	YES ²	YES
TPK 210-12/5-9 kW	NO	NO	NO	NO	YES ¹	YES ²	YES
TPK 210-12/8-12 kW	NO	NO	NO	NO	YES ¹	YES ²	YES

YES¹ Can be used only in OKCE 300S/1 MPa

YES² Only together with crossover flange 225/210

TABLE 2 - Mounting of elements TJ 6/4"

Diameter vessel	Vessel ø 500 mm		Vessel ø 550 mm	Vessel ø 600 mm	Vessel ø 750 a 850 mm	Vessel ø 790, 1000 a 1100 mm
Type	OKC 200 NTR/BP OKC 200 NTRR/BP OKCE 200 NTR/2,2 kW OKCE 200 NTRR/2,2 kW OKC 200 NTRR/SOL OKC 300 NTRR/SOL	OKC 250 NTR/BP OKC 250 NTRR/BP OKCE 250 NTR/2,2 kW OKCE 250 NTRR/2,2 kW OKC 250 NTRR/SOL	OKC 300 NTR/BP OKC 300 NTRR/BP OKCE 300 NTR/2,2 kW OKCE 300 NTRR/2,2 kW OKCE 300 NTR/3-6 kW OKCE 300 NTRR/3-6 kW OKC 300 NTR/SOLAR SET OKC 300 NTRR/SOLAR SET OKC 300 NTR/1 MPa OKC 300 NTRR/1 MPa	OKC 400 NTR/1 MPa OKC 400 NTRR/1 MPa OKC 500 NTR/1 MPa OKC 500 NTRR/1 MPa	OKC 750 NTR/1 MPa OKC 750 NTRR/1 MPa OKC 1000 NTR/1 MPa OKC 1000 NTRR/1 MPa	OKCE 800 S / 1 MPa OKCE 1500 S / 1 MPa OKCE 2000 S / 1 MPa OKC 800 NTR/1 MPa OKC 1500 NTR/1 MPa OKC 2000 NTR/1 MPa OKC 800 NTRR/1 MPa OKC 1500 NTRR/1 MPa OKC 2000 NTRR/1 MPa
TJ 6/4" - 2	YES	YES	YES	YES	YES	YES ¹
TJ 6/4" - 2,5	YES	YES	YES	YES	YES	YES ¹
TJ 6/4" - 3,3	YES	YES	YES	YES	YES	YES ¹
TJ 6/4" - 3,75	YES	YES	YES	YES	YES	YES ¹
TJ 6/4" - 4,5	YES	YES	YES	YES	YES	YES ¹
TJ 6/4" - 6	YES	YES	YES	YES	YES	YES ¹
TJ 6/4" - 7,5	NO	NO	YES	YES	YES	YES ¹
TJ 6/4" - 9	NO	NO	YES	YES	YES	YES ¹

YES¹ Reduction G 2" - G1½" needed