

Operation and Installation Manual



Accumulation Tanks Type NAD

Družstevní závody Dražice – strojírna s.r.o. (*Works Cooperative - Dražice – Machine Plant, Ltd.*)
Dražice 69
29471 Benátky nad Jizerou
Tel.: 326 370911, fax: 326 370980
www.dzd.cz
dzd@dzd.cz

1. Description

Accumulation tanks serve accumulation of excessive heat from its source. The source may be a solid fuel boiler, heat pump, solar collectors, fireplace inserts, etc. Some types of tanks allow combination of connecting even multiple sources.

The NAD type tanks serve accumulation of heat in the heating system only. Incorporation of an accumulation tank in the heating system with a solid fuel boiler allows an ideal run of a boiler at favourable temperature during the boiler operation. The main benefit lies in the period of optimum operation (i.e. with maximum efficiency) when the excessive unconsumed heat accumulates in the tank.

The tanks and potential tubular exchangers are made of steel, without the inner surface treatment, the outer surface of the tank is provided with a protective paint. The tanks are equipped with a removable 100 mm thick insulation – polyurethane foam (foam rubber) with artificial leather and a zip-fastener. The tanks are manufactured in 500, 700 and 1000-litre volumes. Individual versions are additionally equipped with one or two tubular exchangers, each of 1.5 m² area and an inspection hole of 182 mm clearance with an option of installation of an in-built electric heating unit TPK.

The tanks are not designed for accumulation of HSW – hot service water.

2. General dimensions

Capacity (l)	Diameter (mm)	Height (mm)
500	600	1990
750	750	2020
1000	850	2053

3. Description of individual versions

NAD v1

Accumulation tank with a possibility of placing one up to three flanges. A 210 mm spacing flange may be used for assembly of an in-built TPK flange electric heating unit. In the standard version, the flange is blinded. The delivery includes insulation of 100 mm thickness.

NAD v2

Accumulation tank with a possibility of placing G6/4“ funnels. Funnel G6/4“ can be used for fitting an electric heating unit TJ G 6/4“. The delivery includes insulation of 100 mm thickness.

NAD v3

Accumulation tank with a flange of 210 mm screw spacing and funnels, or with funnels only. A 210 mm spacing flange may be used for assembly of an in-built electric heating TPK flange unit. In the standard version, the flange is blinded. The delivery includes insulation of 100 mm thickness.

NAD v4

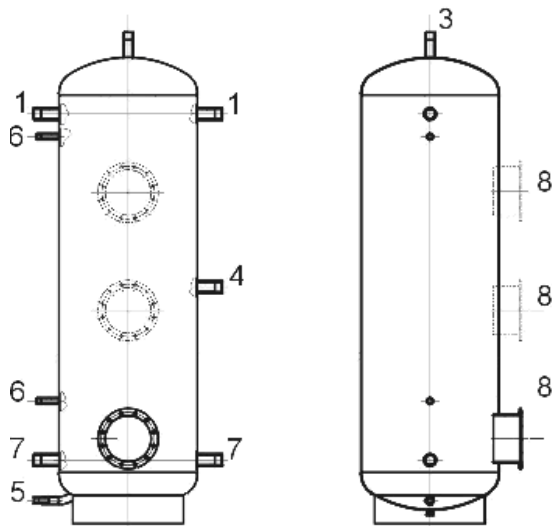
Accumulation tank with a flange of 210 mm screw spacing for the assembly of an in-built flange electric heating unit TPK and one exchanger of 1.5 m² area for connection of an additional heating system (e.g. SOLAR). In the standard version, the flange is blinded. The delivery includes insulation of 100 mm thickness.

NAD v5

Accumulation tank with a flange of 210 mm screw spacing for the assembly of an in-built flange electric heating unit TPK and two exchangers, either of 1.5 m² area for connection of an additional heating system (e.g. SOLAR). In the standard version, the flange is blinded. The delivery includes insulation of 100 mm thickness.

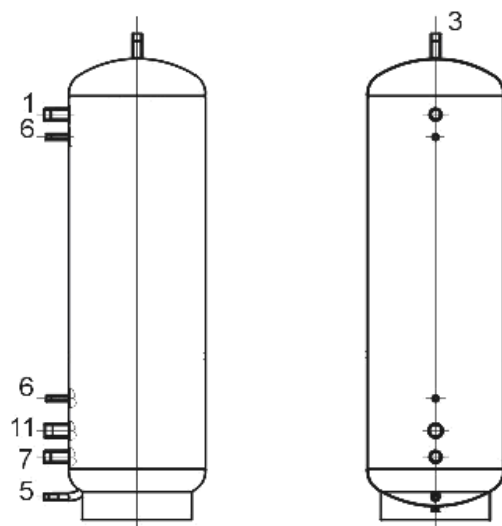
4. Illustration of NAD versions

NAD v1



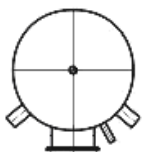
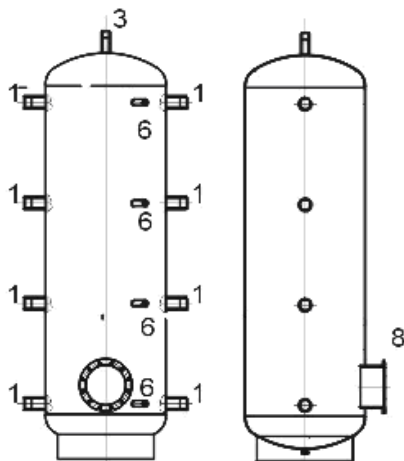
- Outlets:
- | | | |
|--|-------|-------|
| 1. water inlet to accu. tank | inner | G5/4" |
| 3. hot water accumulator outlet (bleeding) | outer | G1" |
| 4. next inlet | inner | G5/4" |
| 5. water inlet to accu. tank (drain) | outer | G1" |
| 6. thermowells (thermometer, thermostat) | inner | G1/2" |
| 7. water outlet from accu. tank (return water) | inner | G5/4" |
| 8. flange, right 210 for assembly of TPK | | |

NAD v2



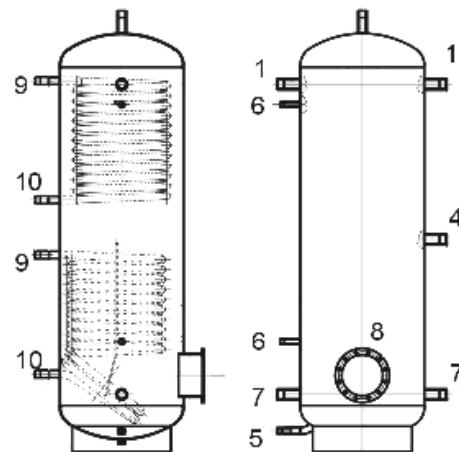
- Outlets:
- | | | |
|--|-------|-------|
| 1. water inlet to accu. tank | inner | G5/4" |
| 3. hot water accumulator outlet (bleeding) | outer | G1" |
| 5. water inlet to accu. tank (drain) | outer | G1" |
| 6. thermowells (thermometer, thermostat) | inner | G1/2" |
| 7. water outlet from accu. tank (return water) | inner | G5/4" |
| 11. option of fitting el. heating unit TJ 6/4" | | |

NAD v3



- Outlets:
- | | | |
|--|-------|-------|
| 1 water outlet (inlets) from accu. tank,
option of fitting el. heating unit TJ 6/4" | | |
| 3. hot water accumulator outlet (bleeding) | outer | G 1" |
| 6. thermowells (thermometer, thermostat) | inner | G1/2" |
| 8. flange, right 210 for assembly of TPK | | |

NAD v4- lower exchanger only
NAD v5-both exchangers



- Outlets:
- | | | |
|--|-------|-------|
| 1. water inlet to accu. tank | inner | G5/4" |
| 3. hot water accumulator outlet (bleeding) | outer | G 1" |
| 4. next inlet | inner | G5/4" |
| 5. water inlet to accu. tank (drain) | outer | G1" |
| 6. thermowells (thermometer, thermostat) | inner | G1/2" |
| 7. water outlet from accu. tank (return water) | inner | G5/4" |
| 8. flange, right 210 for assembly of TPK | | |
| separated heating system – solar, heat pump | | |
| 9. heating water inlet | outer | G 1" |
| 10 hot water outlet | outer | G 1" |

5. Designing the size and connection of ACCU tank to the heating system

An ideal size of the accumulation tank is designed by a design engineer, or a person sufficiently qualified to design heating systems.

Product assembly must be implemented by an authorised person (confirmed in the warranty certificate).

It is recommended to use the product in an indoor environment with air temperatures from +5°C to 45°C and a maximum relative humidity of 80%.

6. General Technical Parameters

The maximum operating pressure in the tank is 0.3 MPa. The maximum heating water temperature in the tank is 90°C.

In version 4 a 5 additionally:

The maximum operating pressure in the exchanger is 1 MPa, the maximum temperature of heating water in the exchanger is 110°C.

Thermal insulation

Polyester sheet of 100 mm thickness. It consists of an upper cover, flange cover and hole caps. Insulation is supplied in a separate packaging.

We recommend that the insulation was fitted at room temperature.

At temperatures significantly below 20°C the insulation shrinks. This disables its easy fitting.

