

SOLAR

Water Heaters

Water heating by solar collectors is a typical example of usage of the solar thermal energy. The system is relatively simple, effective and reliable. Existing experience shows that properly designed high-quality equipment can reduce annual hot water **expenses by 70 %**.

Solar heating systems developed on the basis of modern technologies can have efficiency up to 80 %.



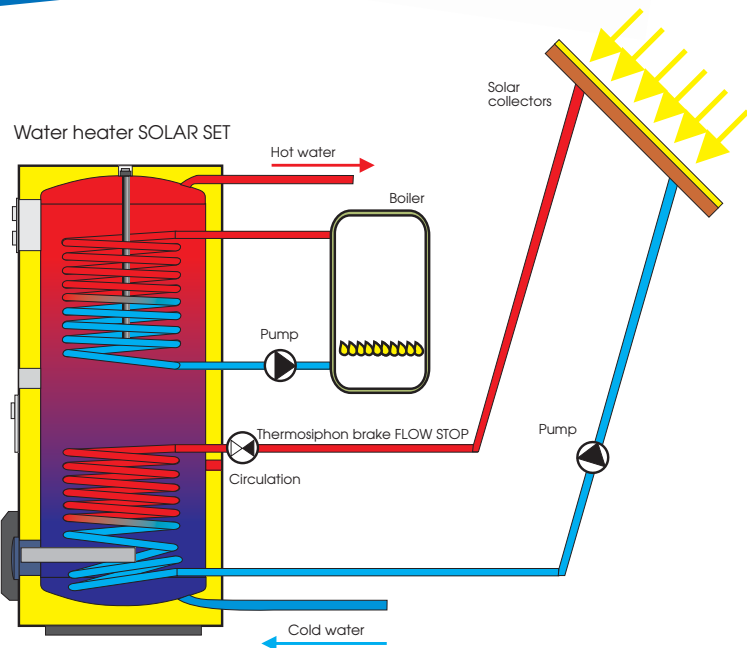
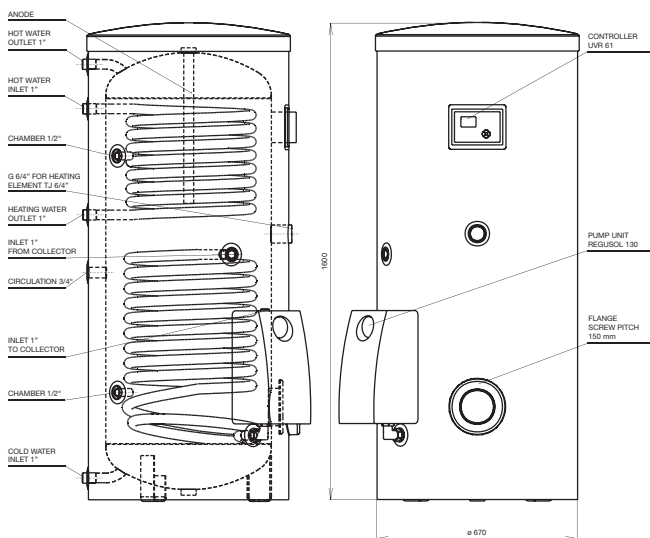
The solar heating system is controlled by a regulator that switches a pump unit, which depends on a temperature difference between the solar collectors and the hot water storage tank. Auxiliary hot water heating, if necessary, in both types is carried out by the heating unit, and in the NTRR type it is carried out by the top exchanger's.

SOLAR WATER HEATERS

OKC 300 NTR/SOLAR SET OKC 300 NTRR/SOLAR SET

The water heater type **OKC 300 NTR/SOLAR SET** is equipped with only one bottom exchanger for solar collectors. The auxiliary water heating is done by electrical heating element TJ 6/4" that is possible to order among other accessories.

The water heater type **OKC 300 NTRR/SOLAR SET** is equipped with two exchangers. The bottom one is used for solar collectors, and the top one is used for auxiliary water heating for example by gas boiler. The TJ 6/4" electrical heating element can be also mounted as an accessory.



SOLAR SET water heater description:

- **REGUSOL 130** pump unit with the through-flow 2-15 l/min preassembled by the manufacturer
- one controlling unit for two heating circuits (solar and boiler)
- additional electrical heating unit TJ 6/4" mounting option
- one magnesium anode is a part of delivery; upon customer's request it is possible to install a maintenance-free anode made of titanium
- 60 mm strong insulation made of rigid CFC-free polyurethane foam
- enamelled steel tank
- thermosiphon brake **FLOW STOP** is mounted on inlet pipe of bottom exchanger, preventing self-circulation in solar circle

Solar heating system with the SOLAR SET tank connection example:

Performance:

Type	OKC 300 NTR/ SOLAR SET	OKC 300 NTRR/ SOLAR SET
Capacity [l]	300	295
Heater's height [mm]	1600	1600
Heater's diameter [mm]	670	670
Max. weight of the heater without water [kg]	145	155
Max. operational overpressure in the tank [MPa]	1	1
Max. operational overpressure in the exchanger [MPa]	1	1
Heating surface of the solar exchanger [m ²]	1,5	1,5
Heating surface of the boiler exchanger [m ²]	-	1
Connecting voltage	230V/50Hz	230V/50Hz
Heat loss [kWh/24 h]	1,86	1,86