

OPERATING AND INSTALLATION MANUAL

THERMOREGULATION BOX



Družstevní závody Dražice - strojírna s.r.o.
Dražice 69, 294 71 Benátky nad Jizerou
tel.: +420 / 326 370 990
fax: +420 / 326 370 980
e-mail: prodej@dzd.cz

 **DRAŽICE**
ČLEN SKUPINY NIBE

CAREFULLY READ THIS MANUAL BEFORE INSTALLING THE WATER HEATER!

Dear customer,

The Works Cooperative of Dražice – Machine Plant, Ltd., would like to thank you for your decision to use a product of our brand. With this guide, we will introduce you to the use, construction, maintenance and other information on electrical water heaters.



The manufacturer reserves the right for engineering modification of the product.

Made in the Czech Republic.

Meaning of pictograms used in the Manual



Important information for heater users.



Abiding by the recommendations of the manufacturer serves to ensure trouble-free operation and the long service life of the product.



Caution!

Important notice to be observed.

1 HSW (HOT SERVICE WATER) TEMPERATURE CONTROL

Indirect water heaters are equipped with wells for location of sensor from an external source (boiler for solid fuels, solar control unit, heat pump, etc.). For installations that cannot be controlled by a control unit from an external source, a **KR thermoregulation box** can be used that controls external source or its switching elements (e.g. three way valve) through a signal. The switching temperature can be set within the range of 5 - 75 °C. For the installation of the regulator sensor the heater tank contains a well with an internal metric thread M12 x 1.5.



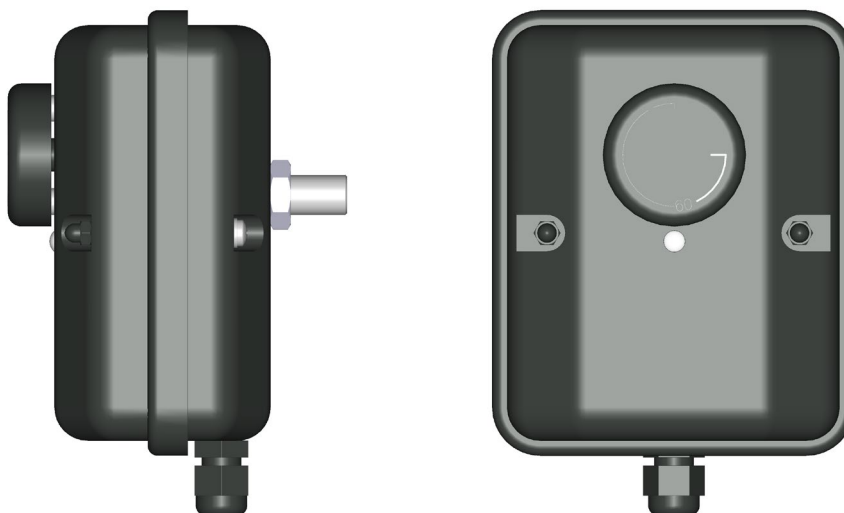
The thermoregulation box can be used for models OKC NTR(R)/BP, OKC NTR(R)/2,2 kW, OKC NTRR/SOL.



Thermoregulation boxes KR-230 V, isn't part of the heater; can be purchased as accessories.

Exchanger thermoregulation boxes:

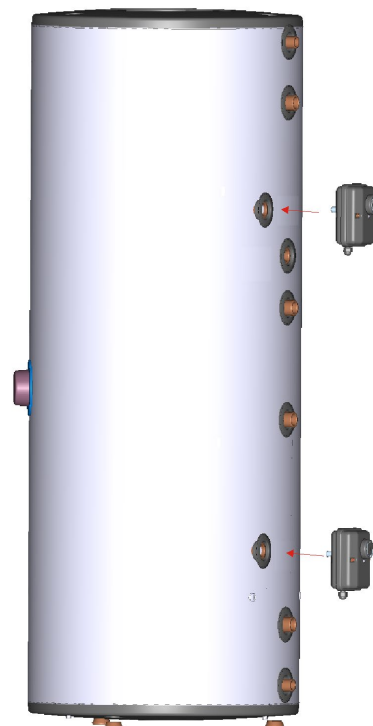
Box KR-230 V for the control of the lower and upper exchanger NTR, NTRR: capillary thermostat



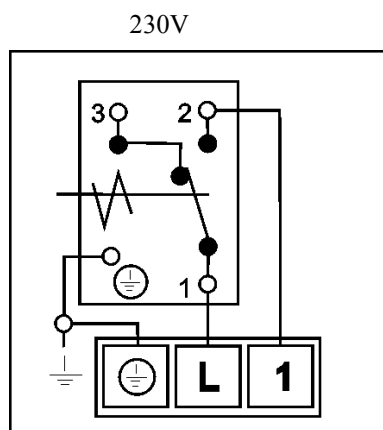
Name	Voltage	El.protection
KR-230 V	230 V	IP 24

2 MOUNTING A THERMOREGULATION BOX ONTO THE HEATER:

- fitting on the back side of heater wells
- depending on the water heater type, one or two KR thermoregulation boxes can be used (NTR – one box, NTRR – two boxes)



Wiring diagram:



- Connection, repairs, and wiring inspections may only be implemented by a company (person) authorised to such activity.
- Expert connection must be confirmed on the warranty certificate.
- Adhere to the protection against electric shock injury according to standard.

3 DISPOSAL OF PACKAGING MATERIAL

The packaging that the product was delivered in has been paid for in form of a service fee for the provision of the return and recovery. The service fee was paid pursuant to Act No 477/2001 Coll., as amended, at EKO-KOM a.s. The client number of the company is F06020274. Take the water heater packaging to a waste disposal place determined by the municipality. When the operation terminates, disassemble and transport the discarded and unserviceable heater to a waste recycling centre (collecting yard), or contact the manufacturer.



19. 10. 2018