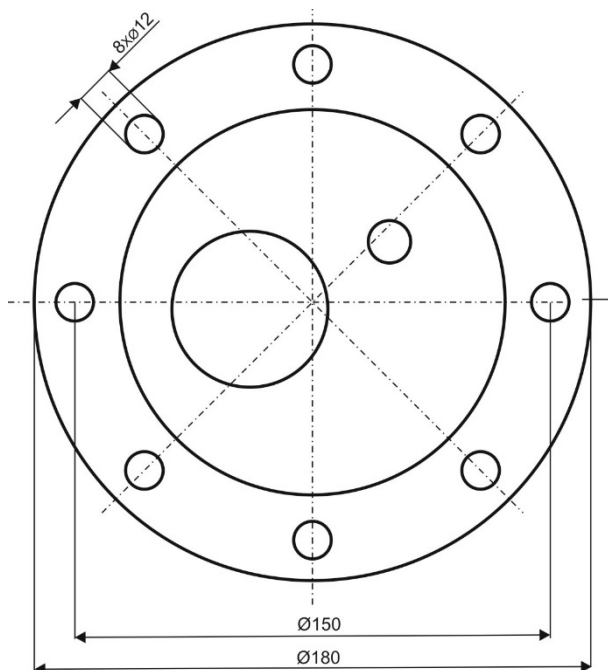
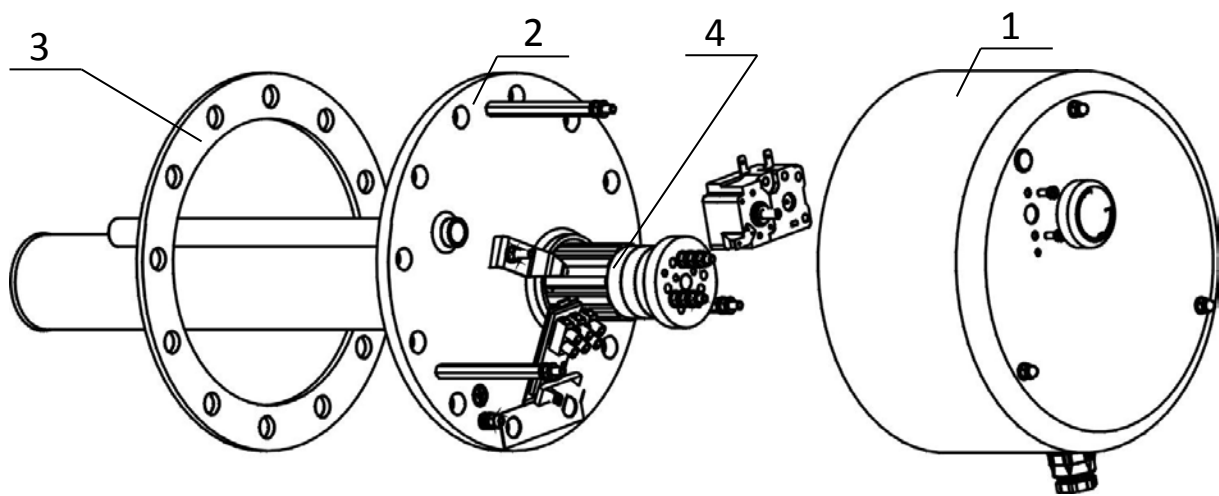


TPK 150-8/1,5 kW and TPK 150-8/2,2 kW

It includes the heating flange units for the use in hot water tanks with 150 mm side flange. 2 performance levels are available, the weaker level is designed for overheating the whole volume of heated heater (e.g. thermal pump) to higher temperature level than 65°C (protection against Legionella) for smaller from produced volumes, and stronger variant for the whole below defined product range. We recommend to control the hygienic functions with heat source regulation device for the installations with thermal pump, and solar installations.

1. Sheet metal electric installation guard
2. Heating flange
3. Gasket
4. Ceramic element



The use for hot water tanks:

OKC 250 NTR/HP

OKC 300 NTR/HP

OKC 400 NTR/HP (DZD)

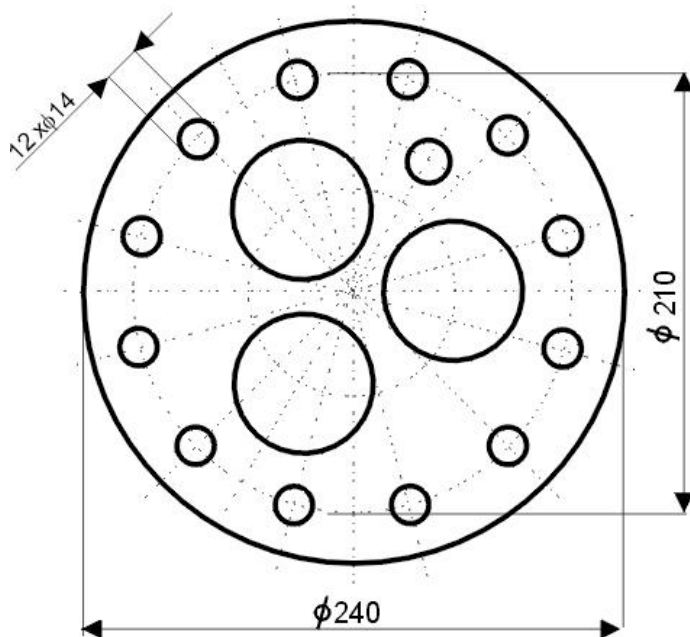
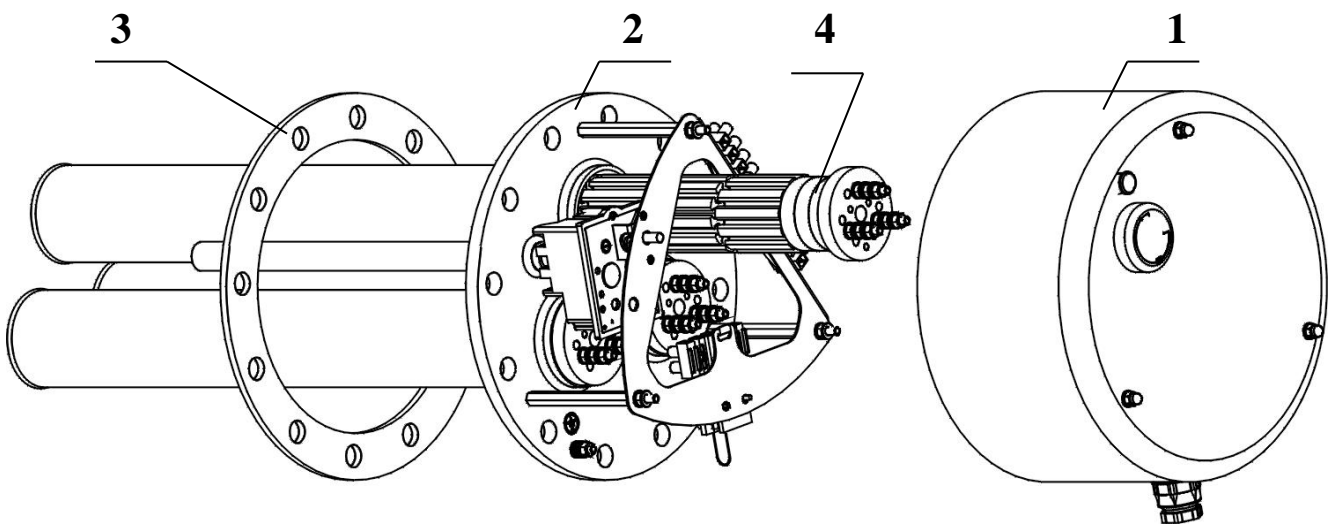
OKC 500 NTR/HP (DZD)

OKC 300 NTRR/SOL

TPK 210-12/6.6 kW

It includes the heating flange unit which is, similarly to the single phase variant TPK 210-12/2,2 kW and TPK 168-8/2,2 kW, usable for processing the residues from classic photovoltaic power plants with converters. The flange unit can be used for three phase installations which requires the control of the individual phase performance depending on actual measuring performed by the energy flow regulator (e.g. Wattrouter or GreenBono).

1. Sheet metal electric installation guard
2. Heating flange
3. Gasket
4. Ceramic element



The use for hot water tanks:

- OKCE 160 S
- OKCE 200 S
- OKCE 250 S
- OKCE 300 S
- OKCE 400 S
- OKCE 500 S
- OKC 300 NTR/BP
- OKC 300 NTRR/BP
- OKC 400 NTR/BP
- OKC 400 NTRR/BP
- OKC 500 NTR/BP
- OKC 500 NTRR/BP

Tanks NAD and NADO with flange 210 mm

Water tanks OKC(E) 750 and 1000 l solely with reduction flange 225/210 mm.