

Electric wall-mounted water heaters OKHE SMART, OKHE, OKCE and OKCEV

OKHE SMART

- The flagship of DZD's product line, combining the best available technologies
- Contains self-learning Smart Control Unit for optimisation of consumption, saving up to 15% on expenses.
- Can be controlled using DZD smartphone app (Android/iOS).
- Smart HDO function (low tariff): the heater recognizes the low tariff in electrical network.
- Independent diagnostics of malfunctions, e.g. status of protective anodes
- Can be used as a classic heater



Types of storage tanks		OKHE 80/SMART	OKHE 100/SMART	OKHE 125/SMART	OKHE 160/SMART
Capacity	[l]	80	100	125	152
Dimension (w × d × h)	[mm]	520 × 547 × 730	520 × 547 × 887	520 × 547 × 1050	520 × 547 × 1235
Weight of the empty water heater	[kg]	35	39	46	52
Insulation thickness	[mm]			to 80	
Heating time from 10 °C to 60 °C	[h]	2,1	2,6	3,3	4,0
Energy efficiency class			B		C
Annual consumption	[kWh·a ⁻¹]	1240	1249	1255	2450
Week consumption with SMART function	[kWh]	23,38	23,66	24,23	49,76
Week consumption without SMART function	[kWh]	27,39	27,56	27,92	56,87

OKHE

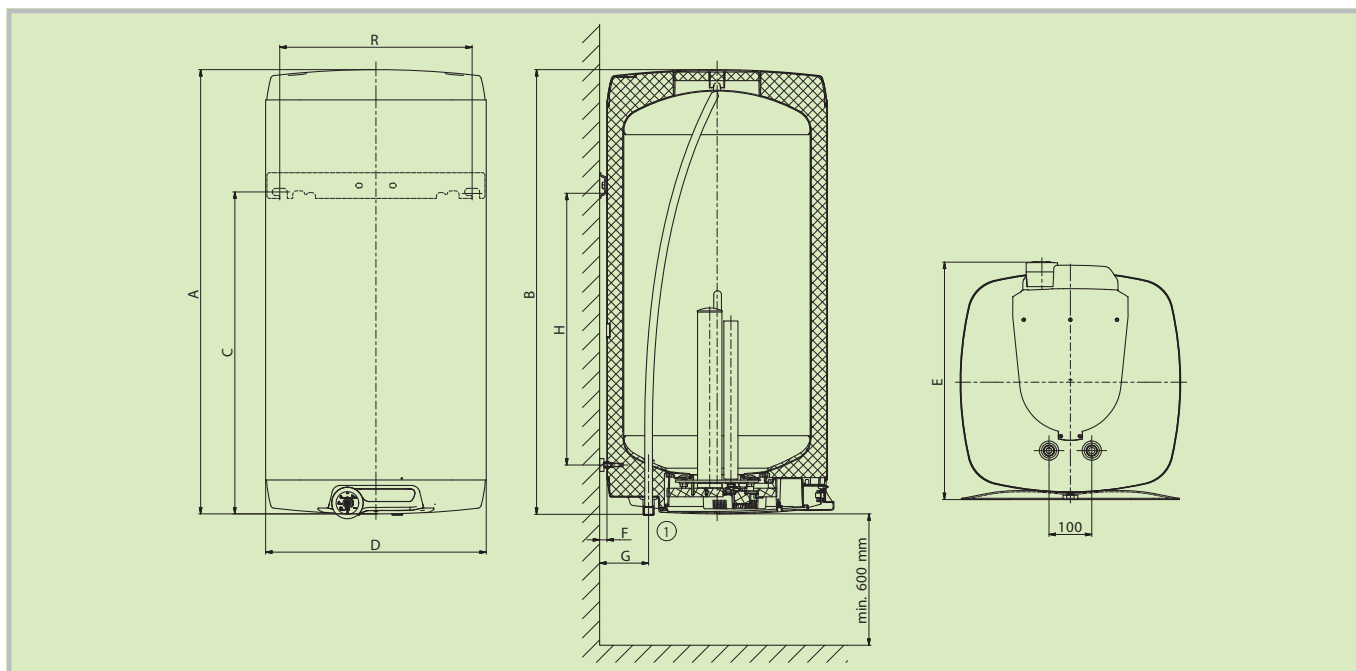
- Capacities of 80–160 l
- Produced as wall-mounted and square-shaped – more interesting design
- With a 2.2 kW electrical heating unit
- 4 kW electrical heating unit can be installed upon request
- Above-average thickness of insulation in corners
- IP 44 electrical enclosure – can be placed near consumption points



Types of storage tanks		OKHE 80	OKHE 100	OKHE 125	OKHE 160
Capacity	[l]	80	100	125	152
Dimension (w × d × h)	[mm]	520 × 547 × 730	520 × 547 × 885	520 × 547 × 1050	520 × 547 × 1235
Weight of the empty water heater	[kg]	34	38	45	51
Insulation thickness	[mm]			to 80	
Heating time from 10 °C to 60 °C	[h]	2,1	2,6	3,3	4,0
Energy efficiency class				C	
Annual consumption	[kWh·a ⁻¹]	1391	1395	1374	2715

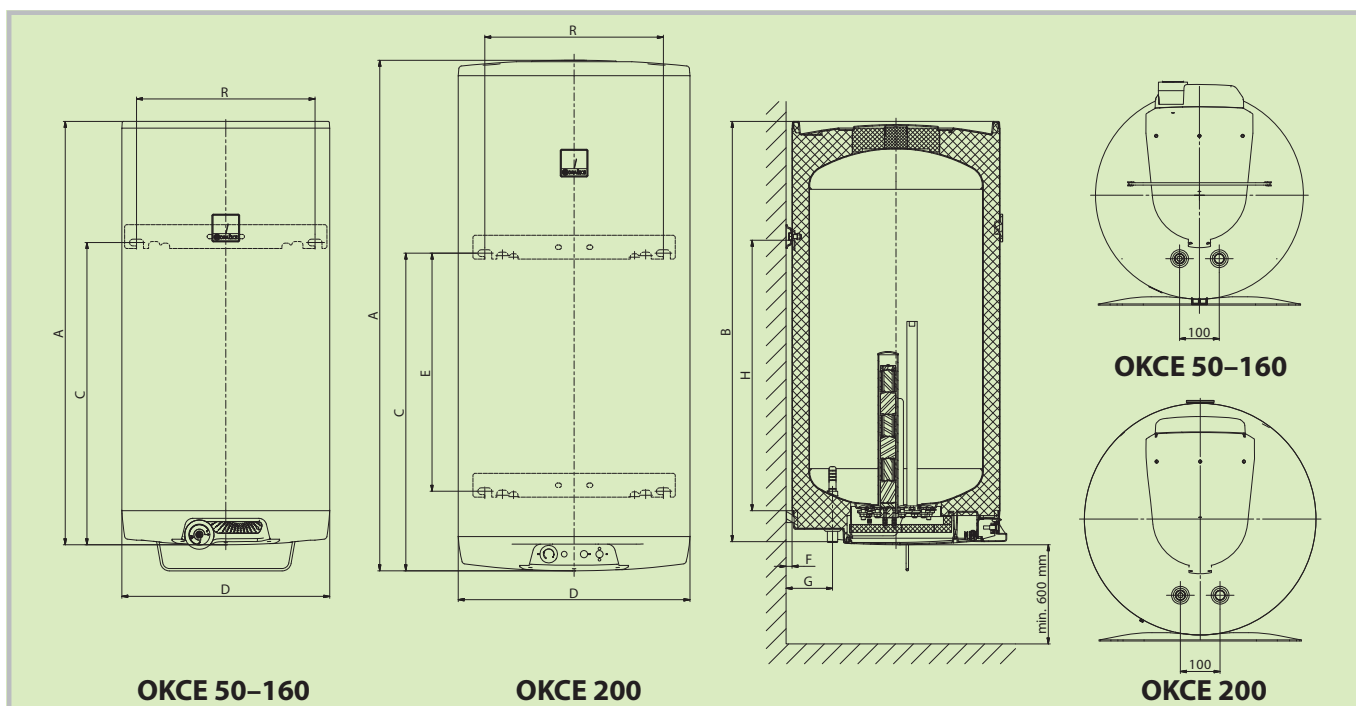
Electric wall-mounted water heaters OKHE SMART, OKHE, OKCE and OKCEV

OKHE SMART a OKHE



Dimensions [mm]	A	B	C	D	E	F	G	H	R
OKHE 80/SMART	730	731	578	520	556	15	115	464	450
OKHE 100/SMART	875	876	724	520	556	15	115	605	450
OKHE 125/SMART	1040	1041	754	520	556	15	115	638	450
OKHE 160/SMART	1225	1223	1010	520	556	15	115	880	450

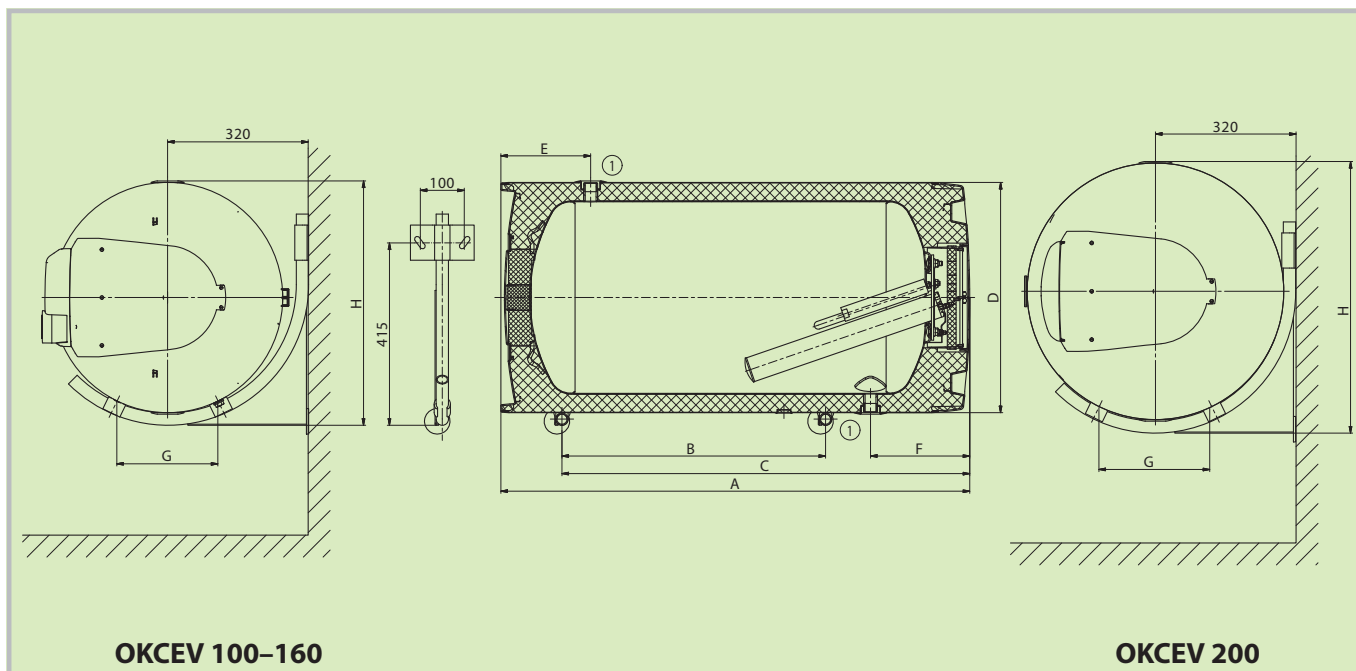
OKCE



Dimensions [mm]	A	B	C	D	E	F	G	H	R
OKCE 50	585	576	455	524	–	14	116	369	450
OKCE 80	757	748	594	524	–	14	116	508	450
OKCE 100	902	893	740	524	–	14	116	654	450
OKCE 125	1067	1059	762	524	–	14	116	682	450
OKCE 160	1255	1246	1011	524	–	14	116	925	450
OKCE 200	1287	1280	800	584	600	14	116	–	450

Electric wall-mounted water heaters OKHE SMART, OKHE, OKCE and OKCEV

OKCEV



Dimensions [mm]	A	B	C	D	E	F	G	H
OKCEV 100	902	435	763	524	205	226	230	556
OKCEV 125	1067	600	928	524	204	226	230	556
OKCEV 160	1255	750	1060	524	254	226	230	556
OKCEV 200	1287	600	936	584	258	246	252	618

The attachment for vertical electrical heaters

- Multipurpose attachment for electric water heaters
- Compact solution with new design
- It reduces thermal losses of the heater
- The multipurpose features are suitable for various screw spacing for water heaters' suspension on the wall, in older models of Dražice heaters and from other manufacturers



Possible clamping dimensions with the screw spacing in the wall: 300-310, 350-372, 432-468 mm

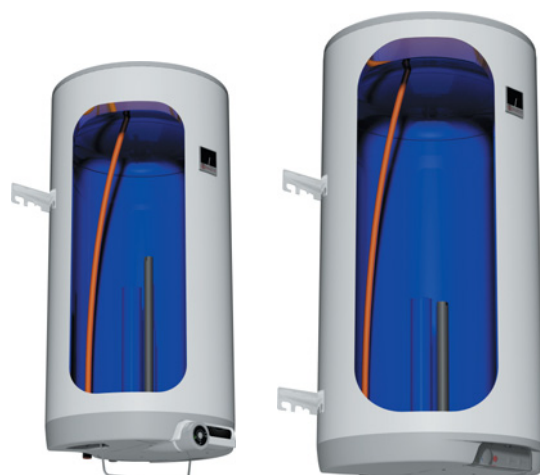
The parameters compliant for all types of electrical heaters

Thermal conductivity of the insulation	[W·m ⁻¹ ·K ⁻¹]	0,022
Power consumption of the el. heating unit	[W]	2200
Electrical connection		1/N/PE ~ 230V/50Hz
Recommended circuit breaker	[A]	16
Degree of protection		IP44
Max. working temperature / overpressure in tank	[°C]/[bar]	90/6

Electric wall-mounted water heaters OKHE SMART, OKHE, OKCE and OKCEV

OKCE

- Capacities of 50–200 l
- Comes in wall-mounted version
- With a 2.2 kW electrical heating unit
- 4 kW electrical heating unit can be installed upon request, **not possible for OKCE 50**
- 1 wall-mounted console up to a capacity of 160 l;
2 wall-mounted consoles for capacity of 200 l
- Towel holder not included



OKCE 50–160

OKCE 200

Types of storage tanks		OKCE 50	OKCE 80	OKCE 100	OKCE 125	OKCE 160	OKCE 200
Capacity	[l]	51	80	100	125	152	200
Dimension (Ø × h)	[mm]	524 × 585	524 × 757	524 × 902	524 × 1067	524 × 1255	584 × 1287
Weight of the empty water heater	[kg]	28	32	39	43	49	66
Insulation thickness	[mm]	42					
Heating time from 10 °C to 60 °C	[h]	1,3	2,1	2,6	3,3	4,0	5,3
Energy efficiency class		C					
Annual consumption	[kWh·a ⁻¹]	1365	1342	1362	1409	2622	4403

OKCEV

- Capacities of 100–200 l
- Produced solely in right-hand design
- With a 2.2 kW electrical heating unit
- 4 kW electrical heating unit can be ordered – only for capacities of up to 200 l
- Includes anchoring bracket



OKCEV 100–160

OKCEV 200

Types of storage tanks		OKCEV 100	OKCEV 125	OKCEV 160	OKCEV 200
Capacity	[l]	100	125	152	200
Dimension (Ø × w)	[mm]	524 × 902	524 × 1067	524 × 1255	584 × 1287
Weight of the empty water heater	[kg]	42	48	54	71
Insulation thickness	[mm]	42			
Heating time from 10 °C to 60 °C	[h]	2,6	3,3	4,0	5,3
Energy efficiency class		C			
Annual consumption	[kWh·a ⁻¹]	1401	2614	2691	4324

Contact: