

OKCE 160–250 S

- Capacities of 160–250 l
- All storage tanks have inlet/outlet for circulation connection
- Installation of TPK 210-12 flanged heating unit required
- Addition of electrical heating unit required
- Storage tanks with capacities of 200-250 l have an inlet/outlet for TJ 6/4" heating unit
- RDU, REU heating units can be attached using a reduction flange



OKCE 160S

OKCE 200S, 250S

Types of storage tanks		OKCE 160 S	OKCE 200 S	OKCE 250 S
Capacity	[l]	160	220	259
Weight of the empty water heater	[kg]	52	68	76
Insulation thickness	[mm]		42	
Thermal conductivity of the insulation	[W·m ⁻¹ ·K ⁻¹]		0,022	
Power consumption of the electrical heating unit*	[W]		2 200	
Heating time from 10 °C to 60 °C*	[h]	4,2	5,8	6,8
Max. working temperature / overpressure in tank	[°C]/[bar]		90/6	
Energy efficiency class			C	
Annual consumption	[kWh·a ⁻¹]	2612	4301	4215

* values for water heater with heating unit TPK 210-12/2,2 kW

Heating units TPK 210-12

Type	TPK 210-12/2,2 kW	TPK 210-12/3-6 kW
OKCE 160 S	▲	▲
OKCE 200 S	▲	▲
OKCE 250 S	▲	▲

Heating units TJ 6/4"

Type	TJ 6/4"-2*	TJ 6/4"-2,5*	TJ 6/4"-3,3	TJ 6/4"-3,75*	TJ 6/4"-4,5*	TJ 6/4"-6*
OKCE 200 S	▲	▲	▲	▲	▲	–
OKCE 250 S	▲	▲	▲	▲	▲	▲

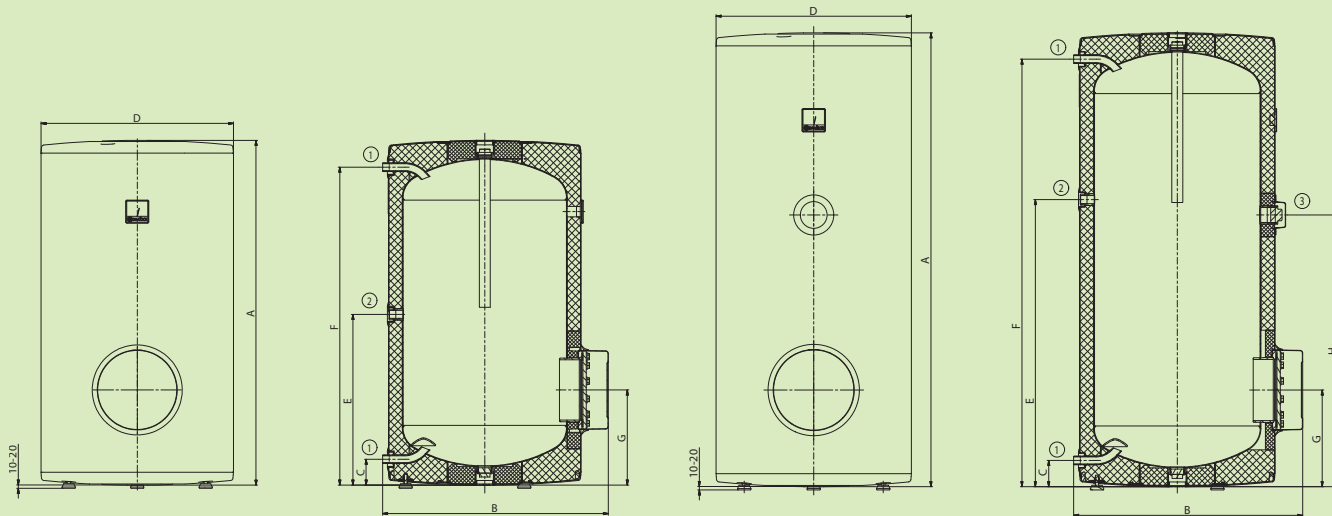
* TJ 6/4" with extended cold part

▲ can be fitted

– cannot be fitted

OKCE 160–250 S

Inlet/outlet no. 1	3/4" outer
Inlet/outlet no. 2	3/4" inner
Inlet/outlet no. 3	6/4" inner



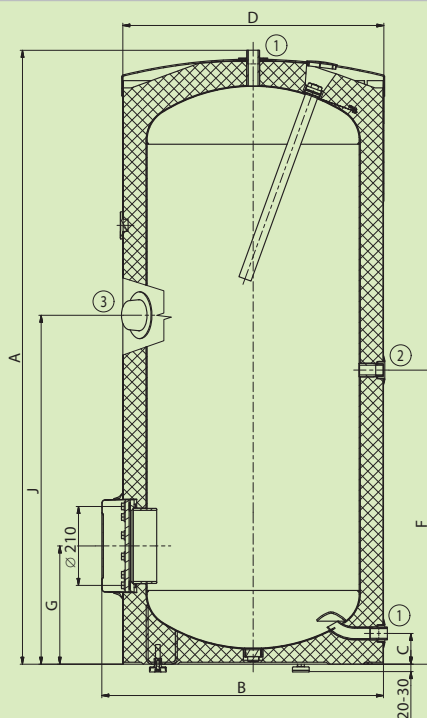
OKCE 160S

OKCE 200S, 250S

Dimensions [mm]	A	B	C	D	E	F	G	H
OKCE 160 S	1047	685	79	584	519	966	289	524
OKCE 200 S	1357	685	79	584	859	1279	289	813
OKCE 250 S	1537	685	79	584	1059	1459	289	813

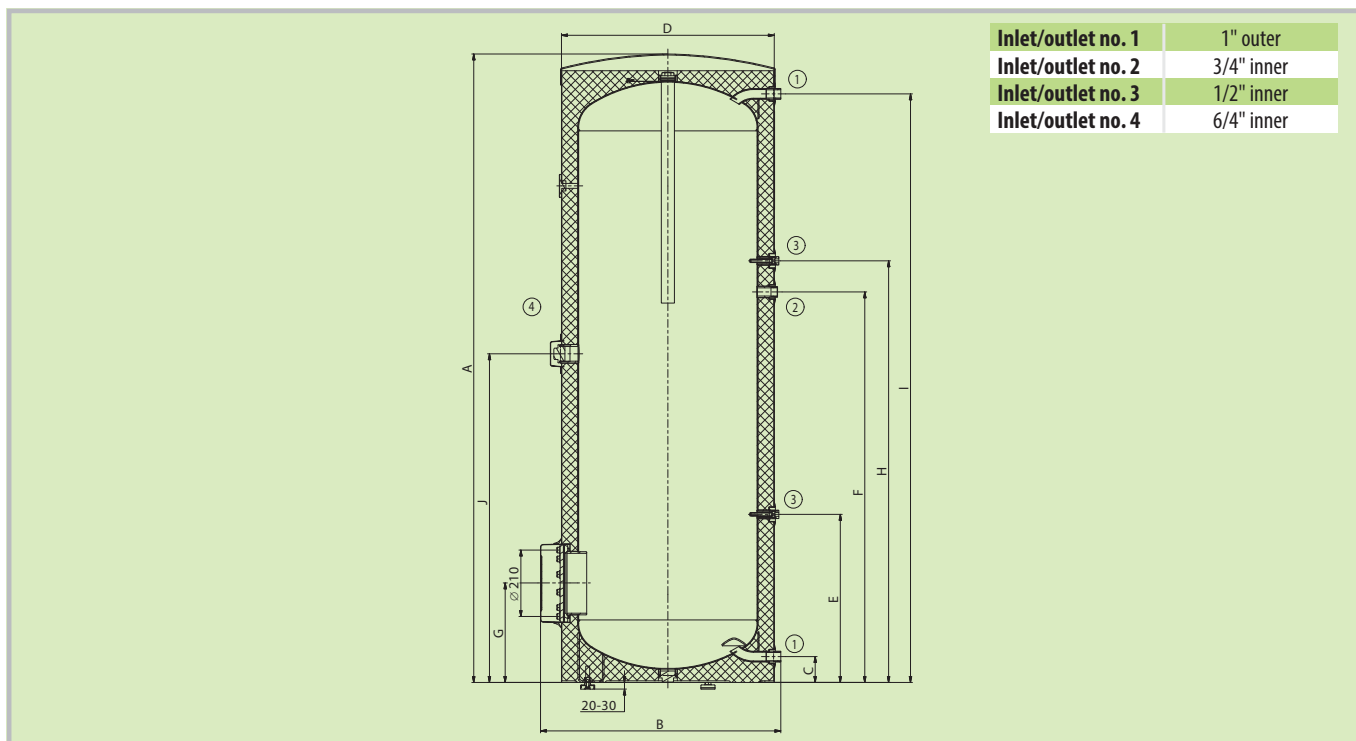
OKCE 300 S

Inlet/outlet no. 1	3/4" outer
Inlet/outlet no. 2	3/4" inner
Inlet/outlet no. 3	6/4" inner



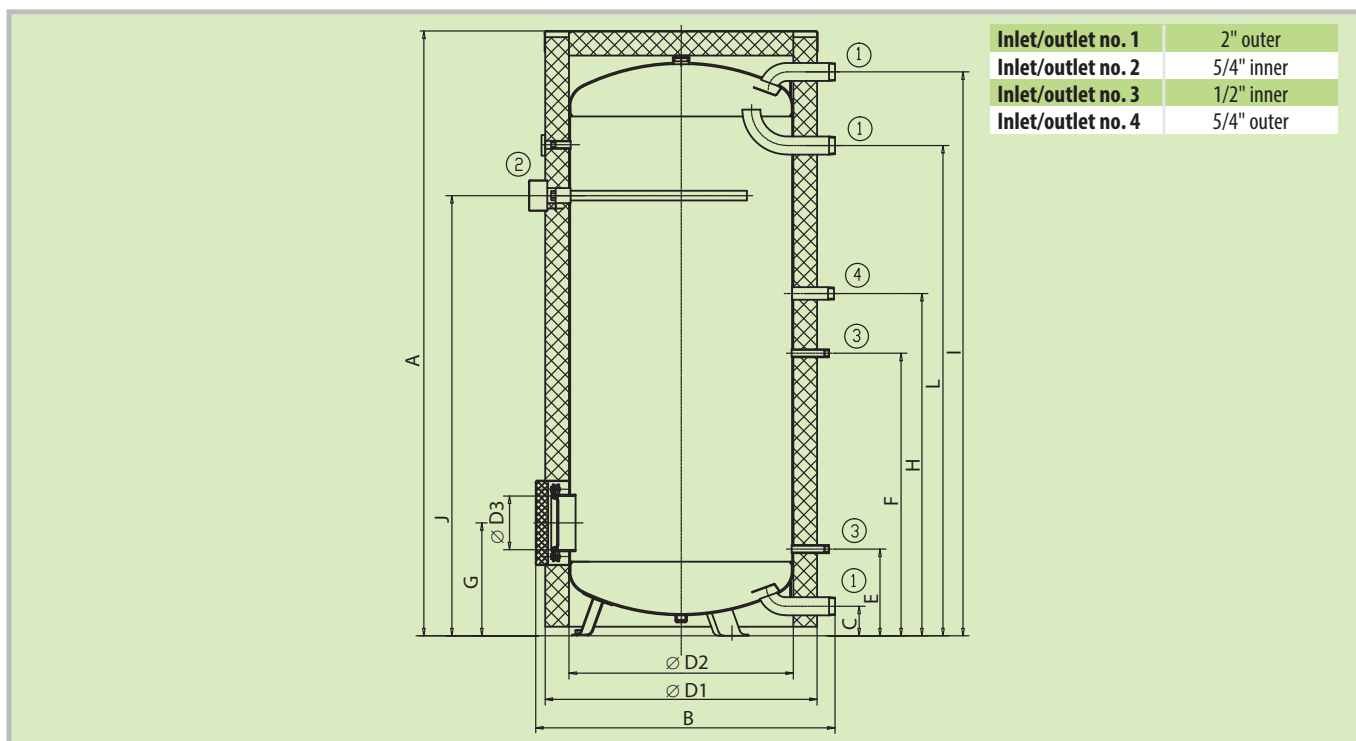
Dimensions [mm]	A	B	C	D	F	G	J
OKCE 300 S	1578	724	79	670	756	304	897

OKCE 400–500 S



Dimensions [mm]	A	B	C	D	E	F	G	H	I	J
OKCE 400 S	1920	734	79	650	514	1194	304	1289	1798	1005
OKCE 500 S	1924	779	55	700	380	1264	287	1409	1790	1040

OKCE 750–1000 S



Dimensions [mm]	A	B	C	D1	D2	D3	E	F	G	H	I	J	L
OKCE 750 S	2030	1030	100	910	750	225	292	947	382	1147	1893	1477	1642
OKCE 1000 S	2050	1130	100	1010	850	225	300	955	390	1155	1910	1515	1650

OKCE 300–1000 S

- Capacities of 300–1000 l
- All storage tanks have inlet/outlet for circulation connection
- Installation of TPK 210-12 flanged heating unit required
- Addition of electrical heating unit required
- Storage tanks with capacities of 300-500 l have an inlet/outlet for TJ 6/4" heating unit
- RDU, REU heating units can be attached using a reduction flange
- R and SE heating units or a TPK heating unit can be installed in 750 and 1000 l storage tanks using a reduction flange



Types of storage tanks		OKCE 300S	OKCE 400S	OKCE 500S	OKCE 750S	OKCE 1000S
Capacity	[l]	314	395	455	750	1000
Weight of the empty water heater	[kg]	80	97	106	175	225
Insulation thickness	[mm]	60	50	50	80 (Symbio LB PP)	80 (Symbio LB PP)
Thermal conductivity of the insulation	[W·m ⁻¹ ·K ⁻¹]		0,022			0,043
Power consumption of the electrical heating unit	[W]	according to the type of accessories				
Heating time from 10 °C to 60 °C	[h]	according to the type of accessories				
Max. working temperature / overpressure in tank	[°C]/[bar]	90/10				
Energy efficiency class		C	D	D		
Annual consumption	[kWh·a ⁻¹]	4361	5568	5562		

Heating units TPK 210-12

Type	TPK 210-12/2,2 kW	TPK 210-12/3-6 kW	TPK 210-12/5-9 kW	TPK 210-12/8-12 kW
OKCE 300 S	▲	▲	▲	▲
OKCE 400 S	▲	▲	▲	▲
OKCE 500 S	▲	▲	▲	▲
OKCE 750 S	■	■	■	■
OKCE 1000 S	■	■	■	■

Heating units TJ 6/4"

Type	TJ 6/4" - 2*	TJ 6/4" - 2,5*	TJ 6/4" - 3,3	TJ 6/4" - 3,75*	TJ 6/4" - 4,5*	TJ 6/4" - 6*	TJ 6/4" - 7,5*	TJ 6/4" - 9*
OKCE 300 S	▲	▲	▲	▲	▲	▲	-	-
OKCE 400 S	▲	▲	▲	▲	▲	▲	-	-
OKCE 500 S	▲	▲	▲	▲	▲	▲	▲	▲

* TJ 6/4" with extended cold part

▲ can be fitted

■ can only be fitted with the 225/210 reduction flange

- cannot be fitted

Contact: